



# Xenon

## 20H

Collection of employee swivel chairs designed by German ITO Design studio. With innovative lumbar support and the possibility of individual modifications, the Xenon chair allows you to sit comfortably, adapting to your body shape. The collection is supplemented with a conference version and a version with a mesh backrest (Xenon Net).

### Collection features:

---

- innovative depth adjustment of the lumbar support (SmartADLS)
- mechanisms synchro with smooth and quick adjustment of backrest spring strength
- graphite J-bar, connecting backrest, seat and mechanism
- available with high and low backrest, version with headrest and jacket hanger
- option available in full upholstery
- conference version - legs or cantilever and version with or without armrest
- Blue Angel certificate - confirms that our chair is environmentally friendly
- Möbelfakta certificate - a guarantee of durability, safety, environmental care and social responsibility during the production process

### Technical specifications:

---

#### product versions

- 20H - conference chair, four legs
- 20H 2P - conference chair, four legs, with armrests

#### frame

Metal tube with cross section fi 22 mm.

Variants:

- MetallicPro
- Chrome
- Black / RAL 9005

#### armrests

option - 2P - metal with a polypropylene pad (set)

#### glides

- standard - Teflon glides - universal (set)

- option - Felt glides - for hard floors (set)

**seat**

Black plastic cover; deciduous plywood; cold molded foam - density 85 kg/m3.

**backrest**

- plastic
- upholstered - cut foam - density 35 kg/m3

**net weight**

- 20H - 9,5 kg
- 20H 2P - 10,0 kg

**gross weight**

- 20H - 13,5 kg
- 20H 2P - 14,0 kg

**stacking**

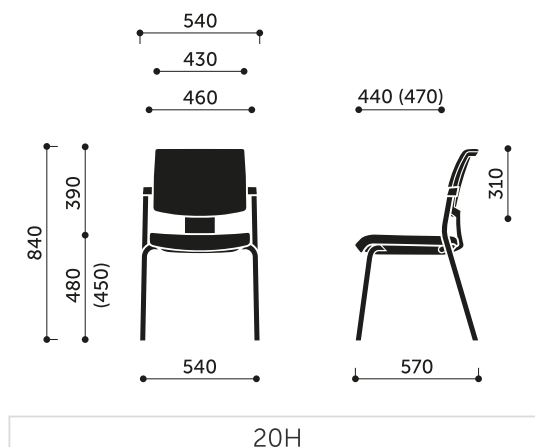
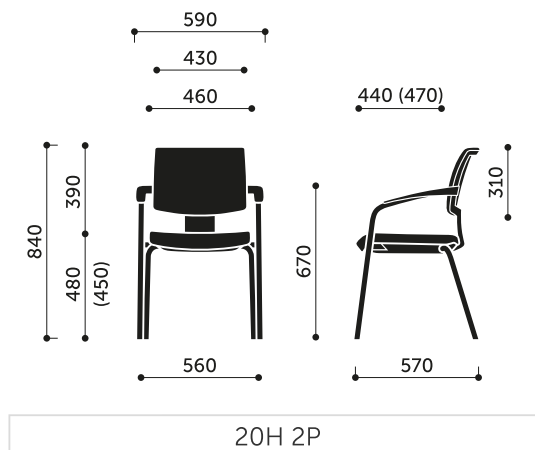
V/ V 2P - 4 pcs

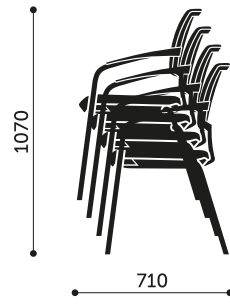
**additional**

Joining in rows

**Product dimensions:**

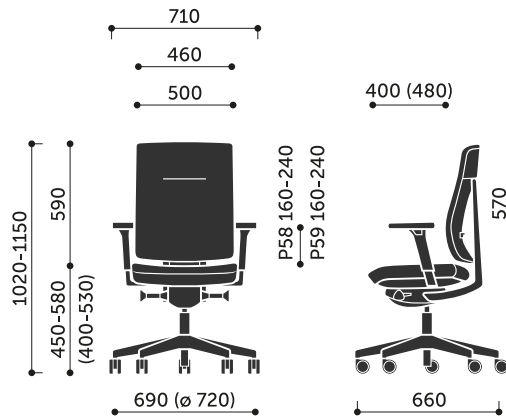
---



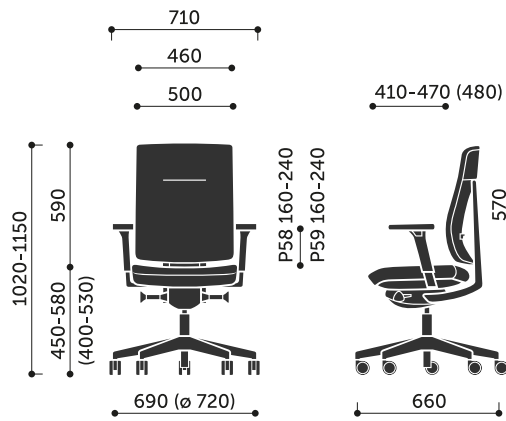


H

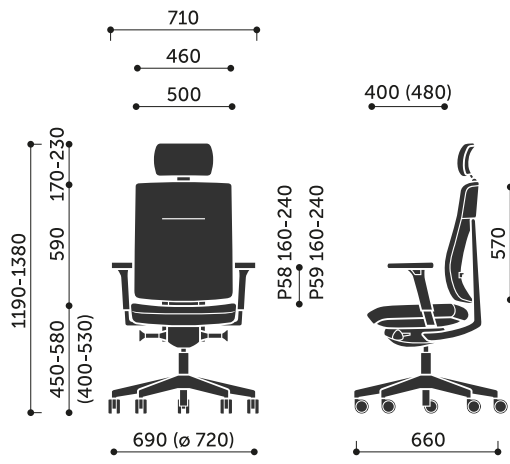
**Dimensions of other models in the collection:**



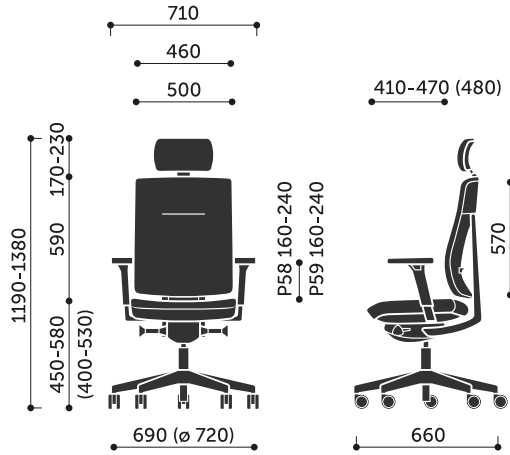
10S



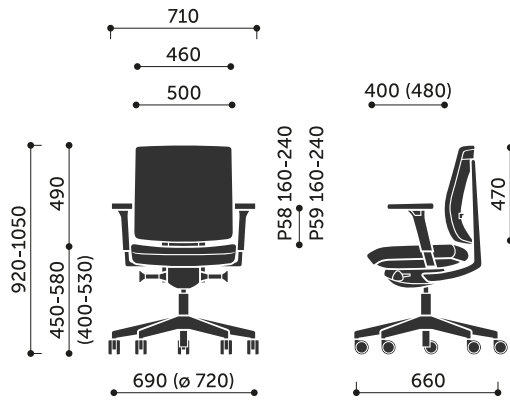
10SL / 10SFL



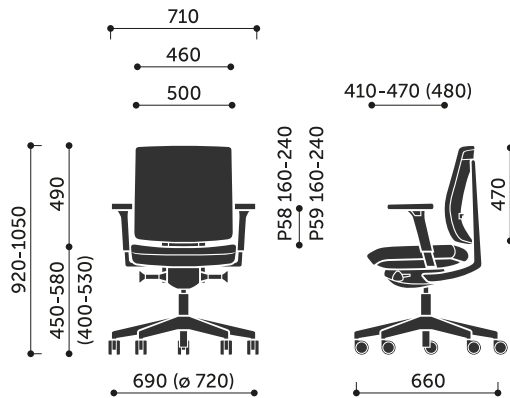
11S



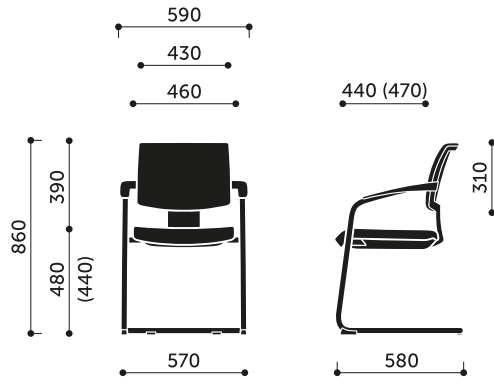
11SL / 11SFL



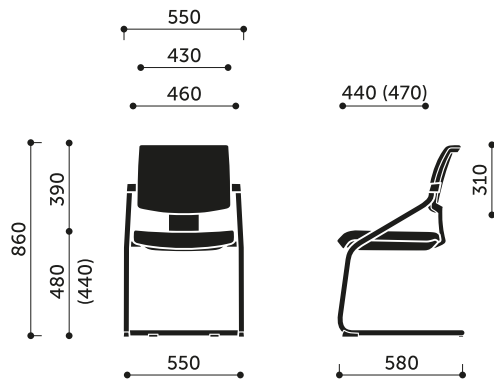
20S



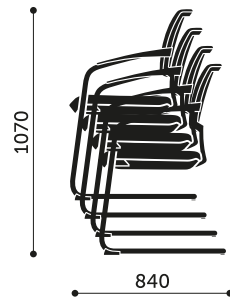
20SL / 20SFL



20V 2P/ 20VN 2P



20V / 20VN



V