



Chic

20F

Christophe Pillet has designed a chair that is light, elegant and refined to the smallest detail. The delicate cross-section and compact shape are noteworthy. This makes the Chic model ideal for café areas, restaurants, hotels or relaxation zones in office buildings.

Collection features:

- the seat is equipped with the return memory (it returns to the starting position by itself)
- Restaurant and bar chairs with a range of bases and armchairs with a swivel base or with glides
- Möbelfakta certificate - a guarantee of durability, safety, environmental care and social responsibility during the production process

Technical specifications:

product version 20F

chair, 4-star base

base

4-star, polished aluminum

backrest

Plywood covered with moulded foam, density ~84 kg/m³

column

option - column with memory

glides

- standard - teflon glides
- option - felt glides - for hard floors

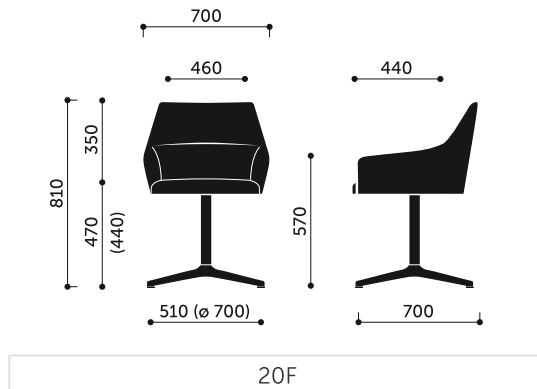
net weight

10,5 kg

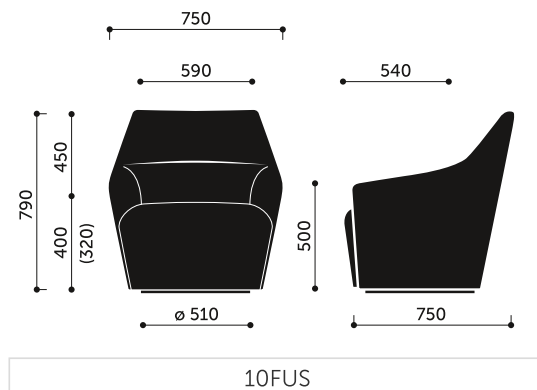
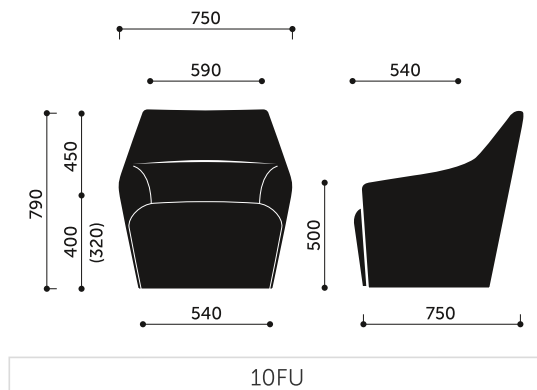
gross weight

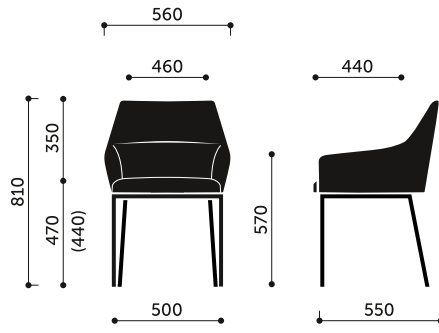
13,5 kg

Product dimensions:

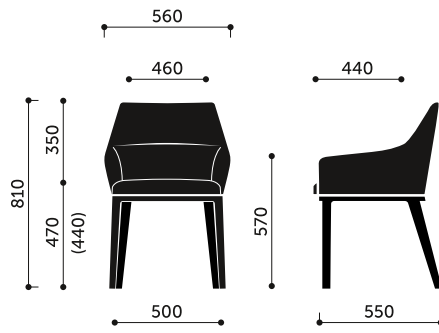


Dimensions of other models in the collection:

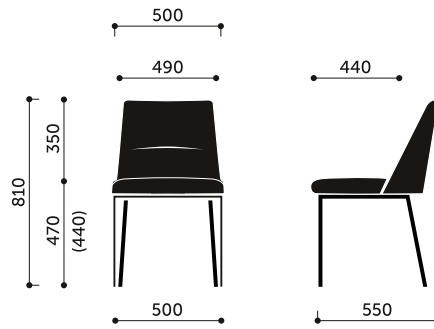




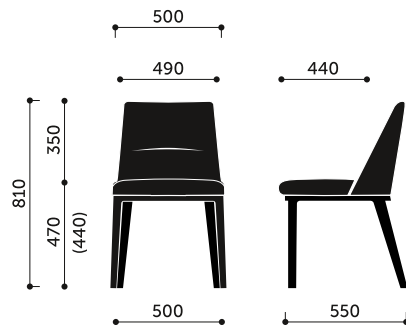
20H



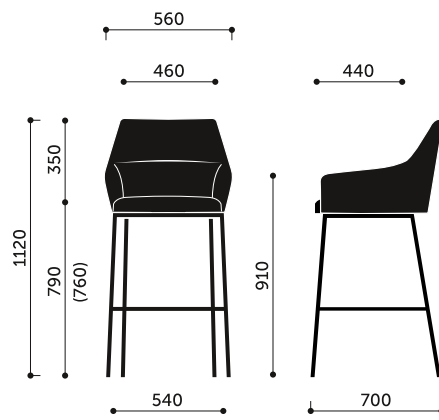
20HW



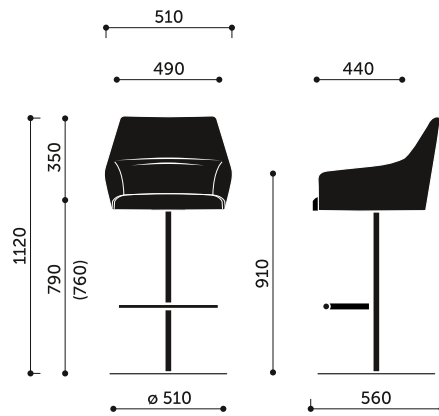
21H



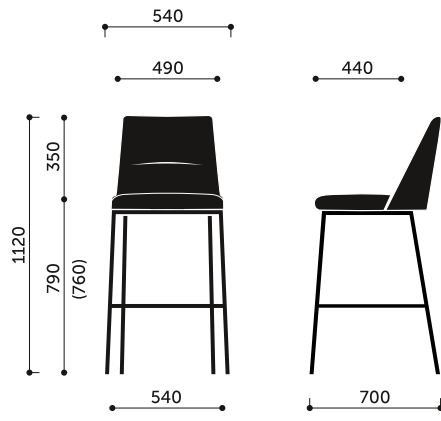
21HW



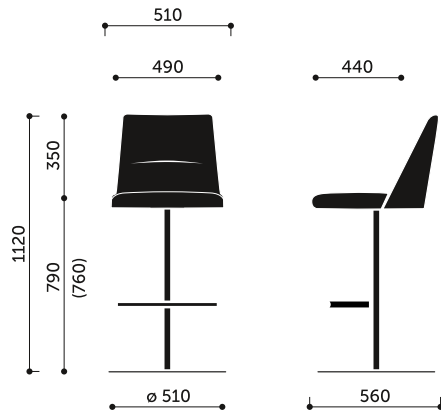
20CH



20CR



21CH



21CR