



# Fan

10HS

There are pieces of furniture that do not age - constantly appreciated, with a timeless design that fits perfectly into any interior. Fan is an elegant, comfortable and at the same time very distinctive armchair - with a detail of a semi-circular seam. This is our most recognizable model on the market. Piotr Kuchciński designed it with both offices and home spaces in mind.

## Collection features:

---

- several types of bases - glides and castors as well as wooden legs which perfectly match the SW40 and SAM tables
- additional cushion improves comfort of use
- the collection also includes a cantilever sofa
- thread options: matching the upholstery color or decorative in one of 16 Pantone colors
- Möbelfakta certificate - a guarantee of durability, safety, environmental care and social responsibility during the production process

## Technical specifications:

---

### product version

10HS - conference armchair, four legs, glides

### frame

metal tube with cross section fi 20 mm.

Variants:

- MetallicPro
- Chrome
- Black / RAL 9005
- White / RAL 9016
- Light Grey / NCS S 2500 N
- Grey / NCS S 6500 N
- Deep Green / RAL 6004
- Navy Blue / RAL 5003
- Burgundy / RAL 3005
- Salvia/Green / RAL 6021
- Blue / RAL 5014
- Terracota / RAL 3012

- Gold

### glides

- standard - teflon glides (universal)
- option - felt glides (for hard floors)
- option - felt glides (universal)

### shell

Metal frame; cold molded foam - density 75 kg/m<sup>3</sup>. Black upholstery - white stitching, other colour of upholstery - black stitching.

Two options of threads:

- upholstery matching threads
- decorative threads in one of 16 Pantone colors

### net weight

10,5 kg

### gross weight

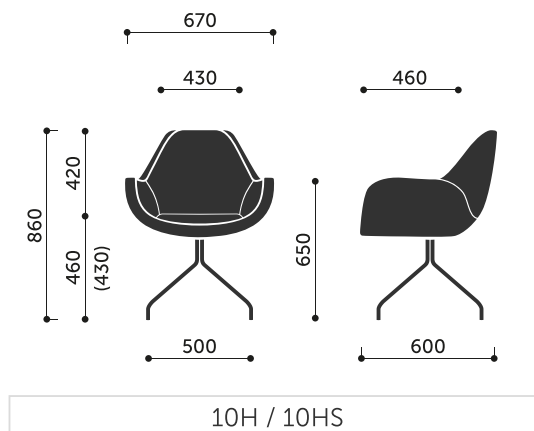
13,5 kg

### additional information

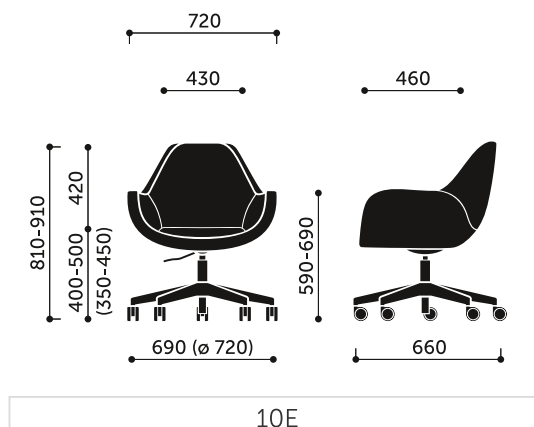
Seat cushion.

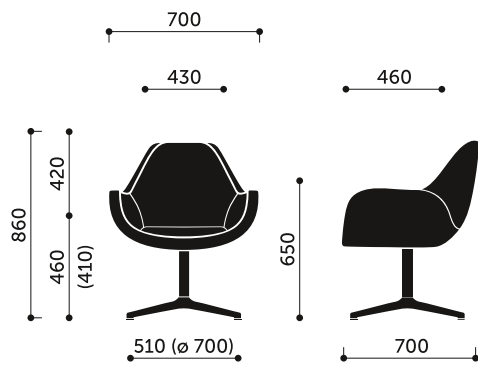
## Product dimensions:

---

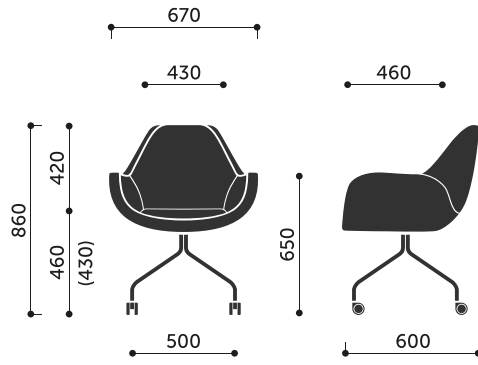


### Dimensions of other models in the collection:

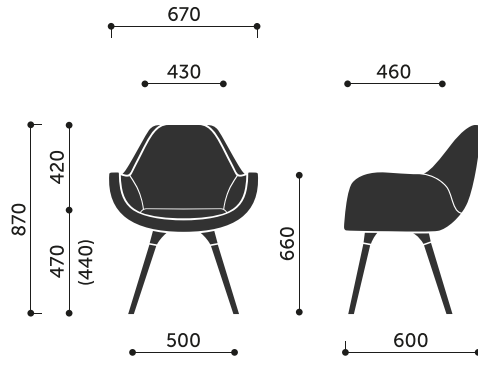




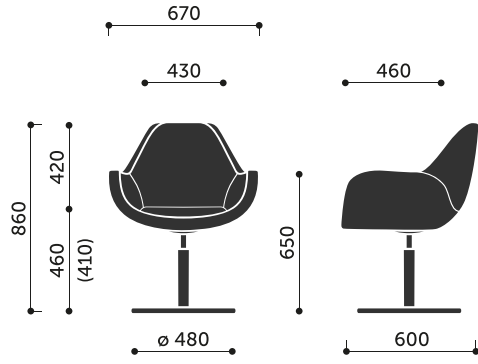
10F



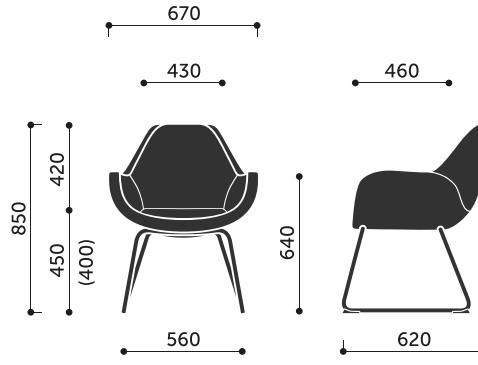
10HC



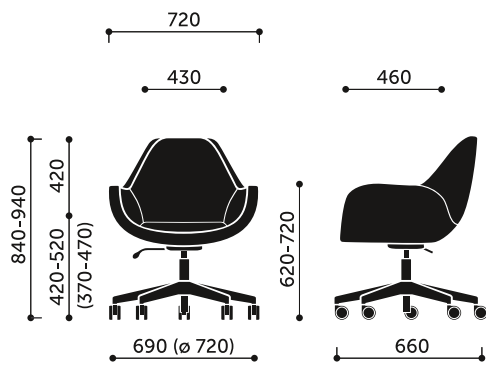
10HW



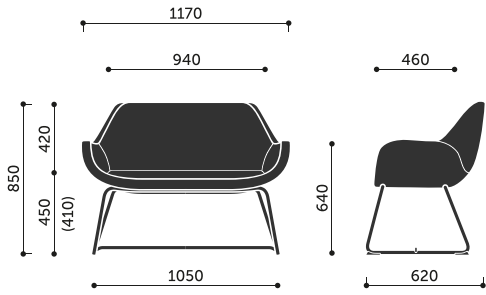
10R



10V



10Z



20V