



Xenon

11

Collection of employee swivel chairs designed by German ITO Design studio. With innovative lumbar support and the possibility of individual modifications, the Xenon chair allows you to sit comfortably, adapting to your body shape. The collection is supplemented with a conference version and a version with a mesh backrest (Xenon Net).

Collection features:

- innovative depth adjustment of the lumbar support (SmartADLS)
- mechanisms synchro with smooth and quick adjustment of backrest spring strength
- graphite J-bar, connecting backrest, seat and mechanism
- available with high and low backrest, version with headrest and jacket hanger
- option available in full upholstery
- conference version - legs or cantilever and version with or without armrest
- Blue Angel certificate - confirms that our chair is environmentally friendly
- Möbelfakta certificate - a guarantee of durability, safety, environmental care and social responsibility during the production process

Technical specifications:

product versions:

- 11S - high backrest, Synchro mechanism, headrest
- 11SL - high backrest, Synchro mechanism, sliding seat, headrest
- 11SFL - high backrest, Synchro mechanism, sliding seat, seat and backrest forward tilt, headrest

mechanism

- Synchro S - adjustment of seat height, synchronising mechanism with the possibility to adjust the resilience of the backrest to the weight of the sitting person. The synchro mechanism can be locked in one of five positions.
- Synchro SL - S mechanism with function of sliding seat. The synchro mechanism can be locked in one of five positions.
- Synchro SFL - SL mechanism with function of additional seat / backrest tilt The synchro mechanism can be locked in one of four positions.

base

Five-star base.

Variants:

- chrome (polished aluminium)
- black (plastic)

armrests

- P59PU - Height adjustable armrest (range 80 mm), sliding pad (+/- 50 mm) with span option (+/- 30 mm). Colour of armrest frame: black.
- P61PU - Height adjustable armrest (range 80 mm). Colour of armrest frame: black.

gas lift

option - Lumbar support - height adjustable

Castors / glides

- option - Hard castors - for soft floors (set)
- option - Soft castors - for hard floors (set)
- option - Teflon glides - universal (set)

seat

Black plastic cover; deciduous plywood; cold molded foam - density 65 kg/m³.

backrest

Internal plastic (polypropylene); cold molded foam - density of 75 kg/m³; external plastic (polypropylene).

high backrest

Innovative, additional depth adjustment of lumbar support. Backrest's design underlined by grey frame, linking backrest with the seat.

Hanger, maximum load 4 kg.

SmartADLS - patented solution and a unique feature of the Xenon collection ensuring proper support of the lower spine.

standard - Lumbar support - height adjustable

J-bar (backrest bracket) - always in grey colour.

headrest

Adjustable headrest is always upholstered.

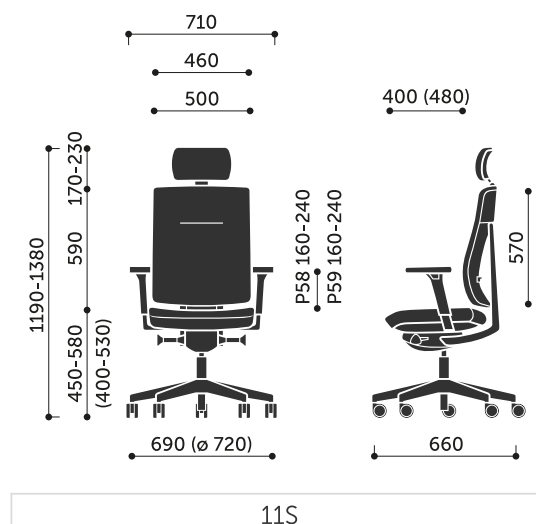
net weight

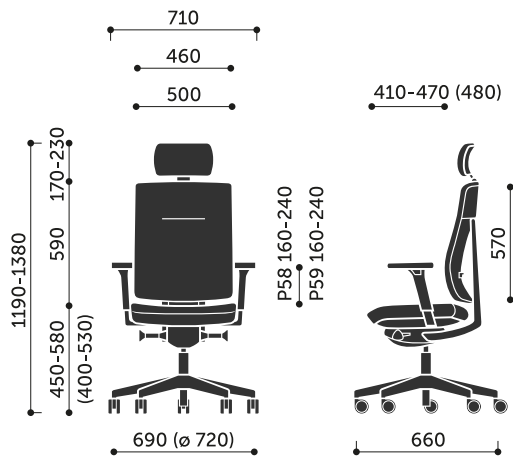
- 11S/SL/SFL - 20,5 kg

gross weight

- 11S/SL/SFL - 23,5 kg

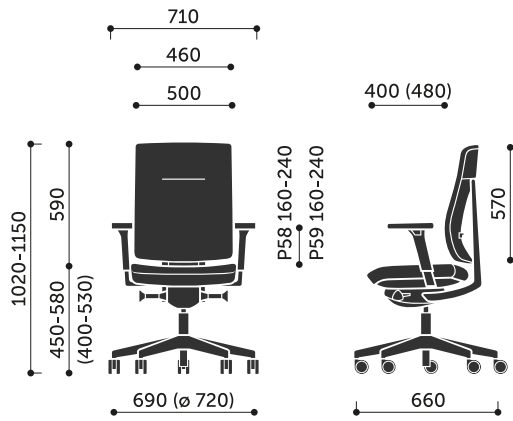
Product dimensions:



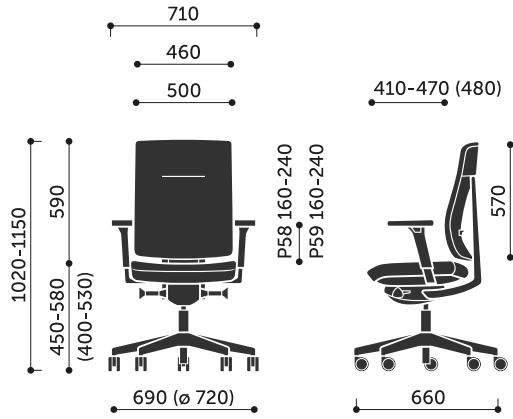


11SL / 11SFL

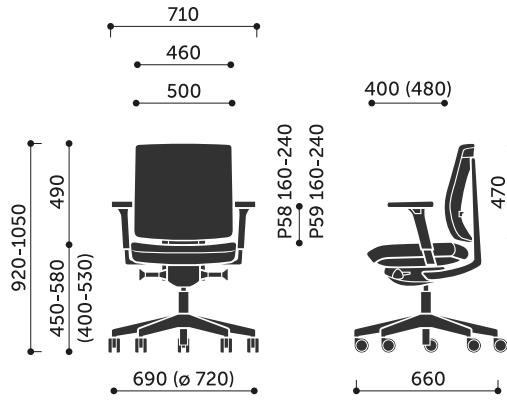
Dimensions of other models in the collection:



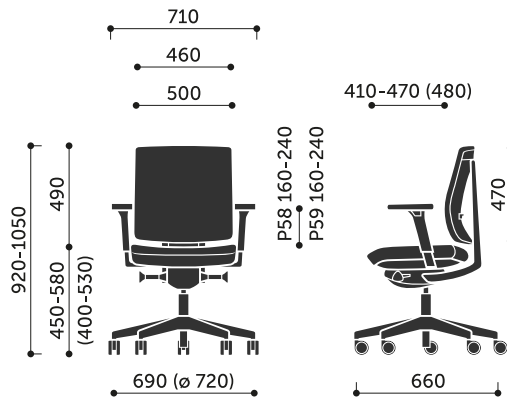
10S



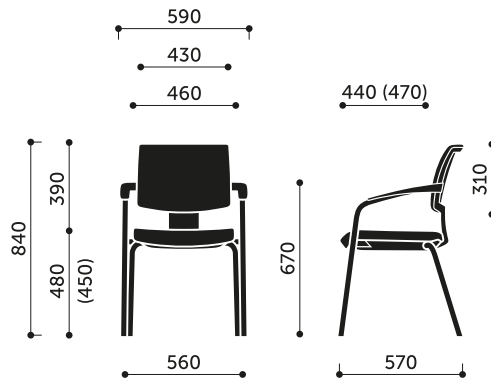
10SL / 10SFL



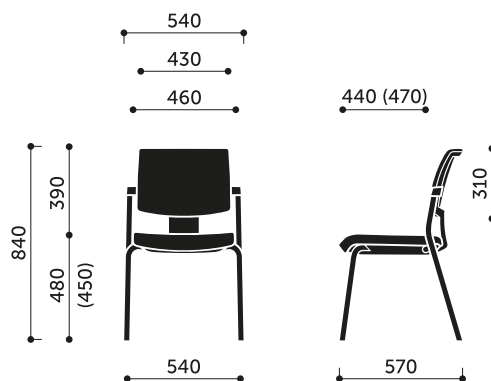
20S



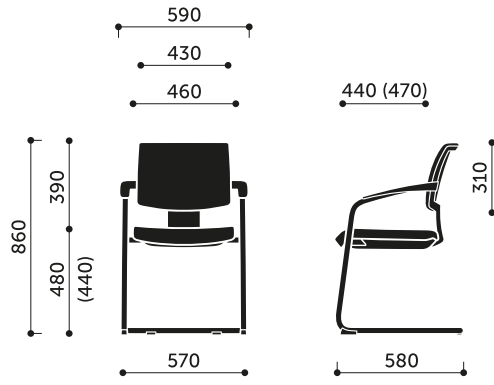
20SL / 20SFL



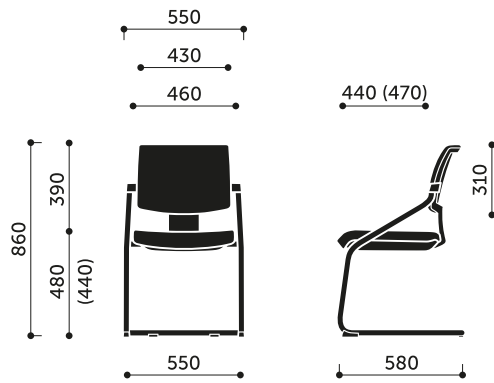
20H 2P



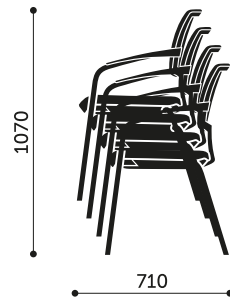
20H



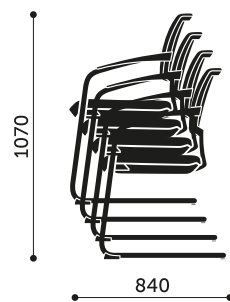
20V 2P/ 20VN 2P



20V / 20VN



H



V