



Ariz

570CV

Extremely comfortable and lightweight conference and auditorium chair. Chairs can be joined in rows, which is useful, for example, in lecture halls. Regardless of the configuration, it's a model that will allow you to sit comfortably, provide space flexibility and safe use.

Collection features:

- wide configuration possibilities with several plastic colours and a wide range of upholstery fabrics
- plastic, upholstered, and mesh versions.
- version with comfortable armrest available
- possibility of high stacking (up to 45 pieces on a special trolley for chair transport)
- option to join in rows, mount writing top and newspaper basket
- Möbelfakta certificate - a guarantee of durability, safety, environmental care and social responsibility during the production process

Technical specifications:

product version 570CV

bar stool, upholstered seat and backrest

frame

Metal wire with cross section fi 11 mm.

Variants

- MetallicPro
- Chrome
- Black / RAL 9005
- White / RAL 9016
- Light Grey
- Grey
- Deep Green / RAL 6004
- Navy Blue / RAL 5003
- Burgundy / RAL 3005
- Salvia/Green / RAL 6021
- Blue / RAL 5014

- Terracota / RAL 3012

glides

- Teflon glides - universal
- Felt glides - for hard floors

seat

- upholstered
- cut foam - density 35 kg/m³
- underside of the seat: black plastic (black and chrome frame) and grey plastic (metallic frame)

backrest

upholstered - cut foam - density 35 kg/m³

net weight

9,0 kg

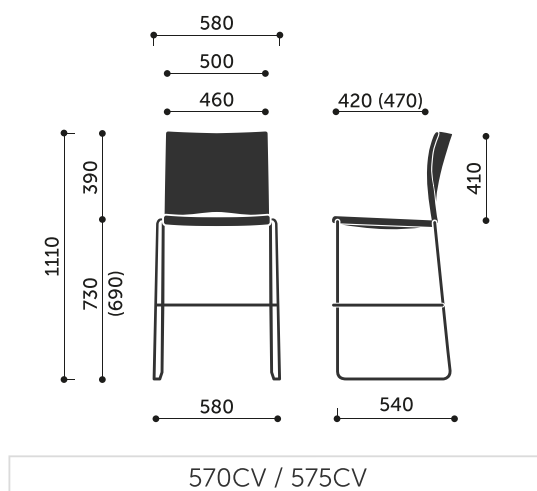
gross weight

12,0 kg

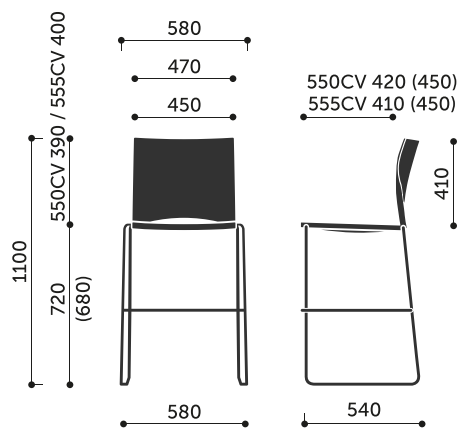
stacking

2 pcs.

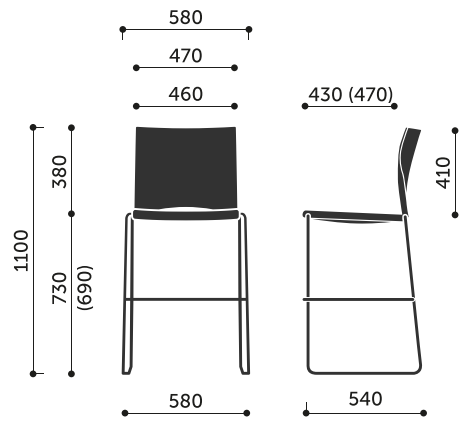
Product dimensions:



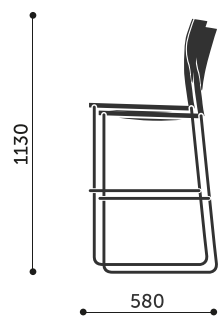
Dimensions of other models in the collection:



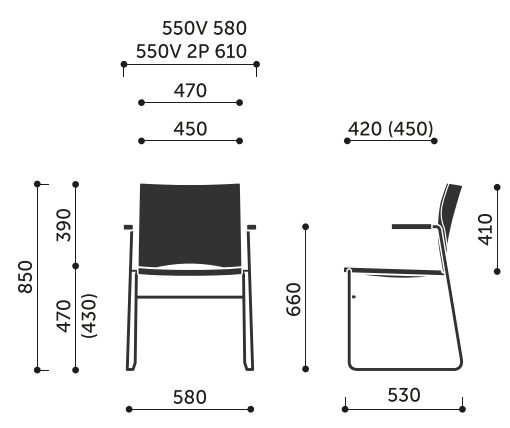
550CV / 555CV



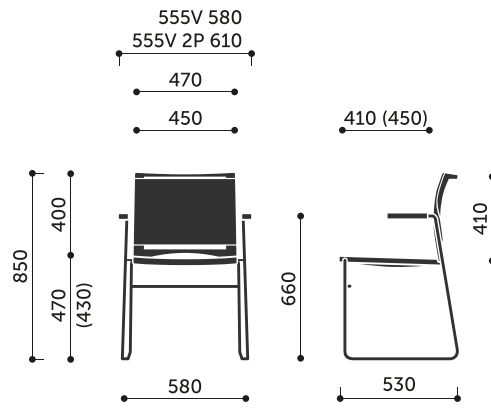
560CV



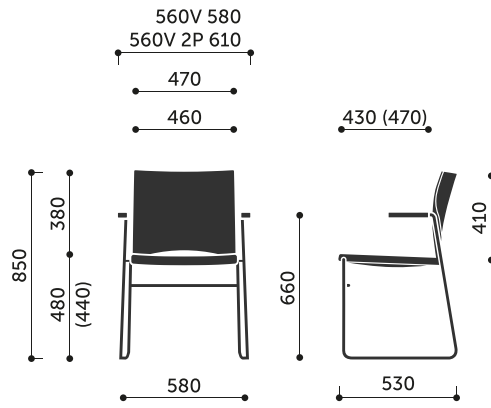
CV



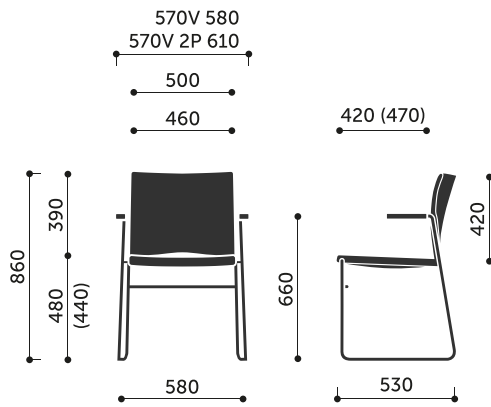
550V / 550V 2P



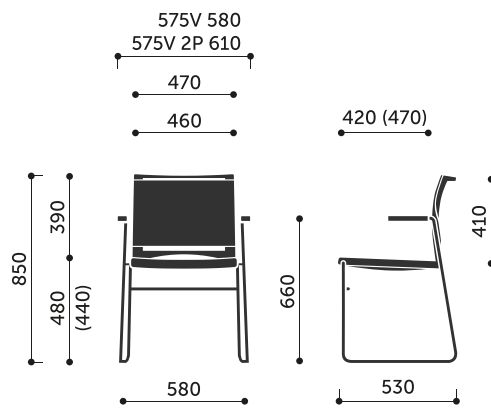
555V / 555V 2P



560V / 560V 2P



570V / 570V 2P



575V / 575V 2P

