



# Chic

20CH

Christophe Pillet has designed a chair that is light, elegant and refined to the smallest detail. The delicate cross-section and compact shape are noteworthy. This makes the Chic model ideal for café areas, restaurants, hotels or relaxation zones in office buildings.

## Collection features:

---

- the seat is equipped with the return memory (it returns to the starting position by itself)
- Restaurant and bar chairs with a range of bases and armchairs with a swivel base or with glides
- Möbelfakta certificate - a guarantee of durability, safety, environmental care and social responsibility during the production process

## Technical specifications:

---

### product version 20CH

bar stool, metal legs

### frame

Variants:

- MetallicPro
- Chrome
- Black / RAL 9005
- White / RAL 9016
- Light Grey
- Grey
- Deep Green / RAL 6004
- Navy Blue / RAL 5003
- Burgundy / RAL 3005
- Salvia/Green / RAL 6021
- Blue / RAL 5014
- Terracota / RAL 3012

### backrest

Plywood covered with moulded foam, density ~84 kg/m3

### glides

- standard - teflon glides
- option - felt pads (for hard floors)

net weight

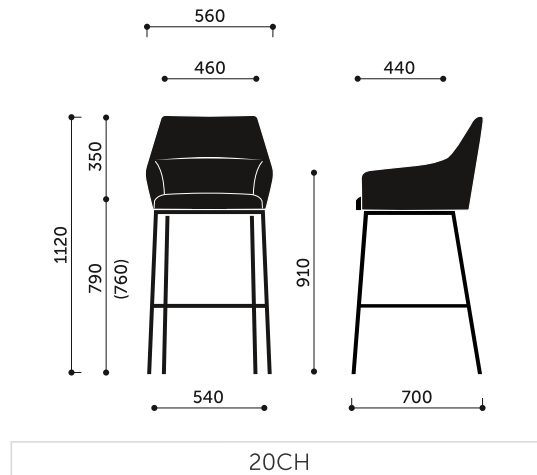
11,0 kg

gross weight

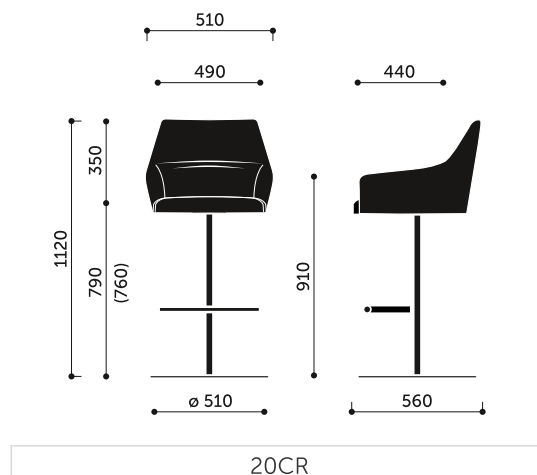
15,0 kg

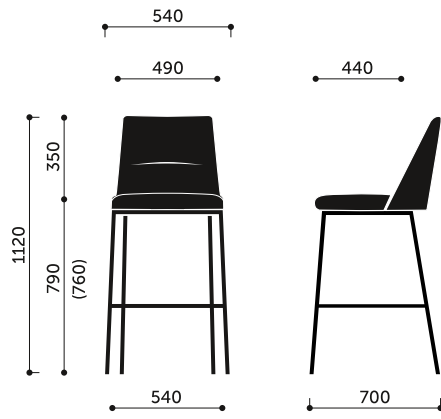
## Product dimensions:

---

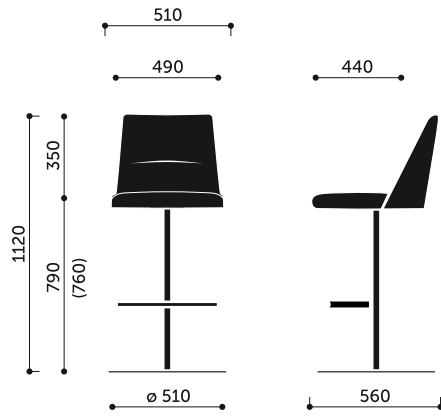


### Dimensions of other models in the collection:

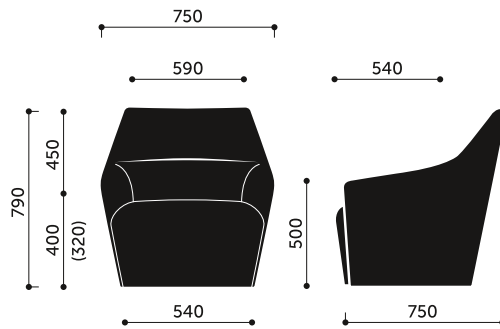




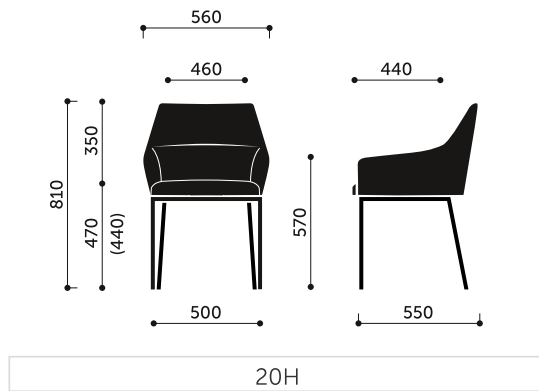
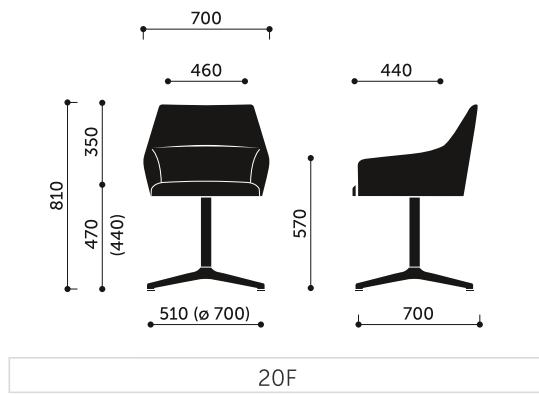
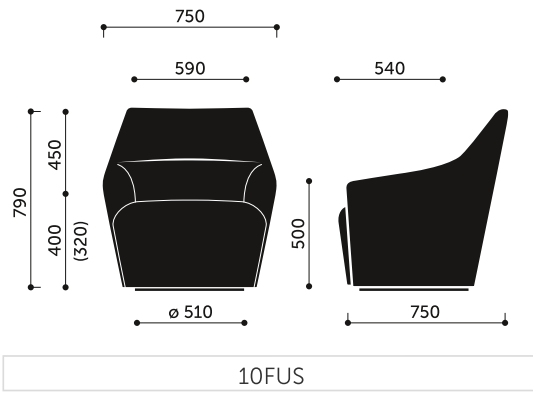
21CH

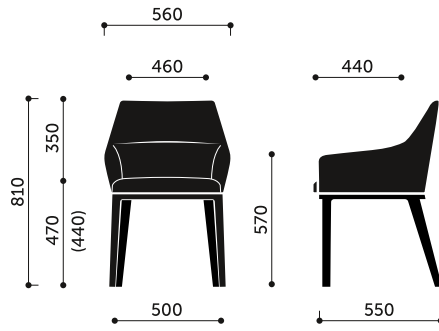


21CR

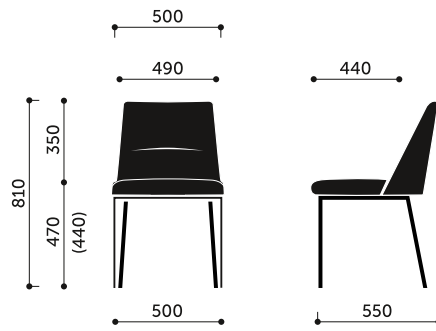


10FU

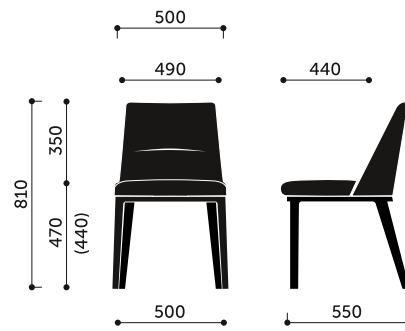




20HW



21H



21HW