

FRAME FOR TILTING TOP

SAVIO

art. 227R

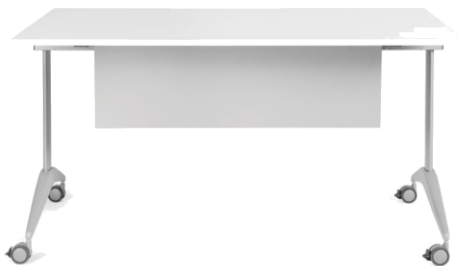


General description:

- Extremely solid frame that allows the user to easily move the table.
- The frame is composed by a beam, a set of legs with conical round tube and castors
- Three beams available for top of different lengths: from 120 to 140 cm, from 140 to 160 cm or from 180 to 200 cm
- Double locking device.

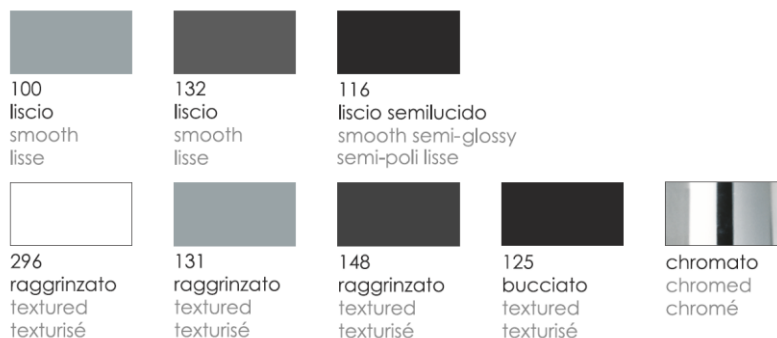


- The user needs to use the locking devices to move the table from the working position to the vertical position. The top automatically stops in the vertical position. It is enough to press on the upper side of the top to close it and return to the horizontal position.



- Brackets used to change the position of the table are painted in anthracite (our ref v148).
- When stored, the unfolded tables will aggregate in order to save space
- The cover of the castor is available in white and anthracite grey
- Optional modesty panel available
- The frame can be powder coated in various color options or chromed

- Epoxypolyester powder coating, in standard colours:



Technical details

Leg:

- Conical 35x2 round tube
- Connection element at upper side leg: 100x40x2 mm tube
- Castors of Ø 60 mm with brake

Beam:

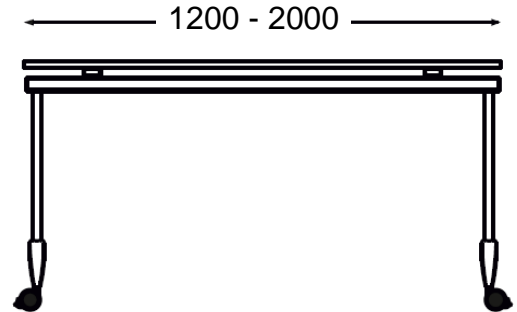
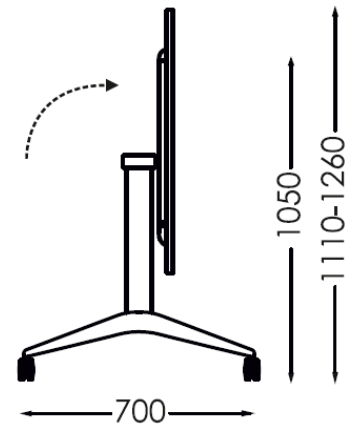
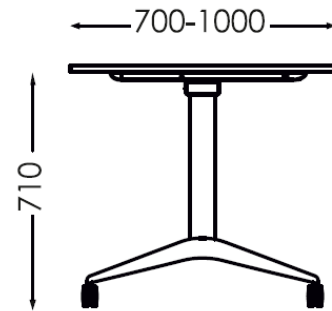
- Rectangular tube 100x40x2 mm
- Upfolding mechanism 50x25x2
- Mild steel sheet 50/10 + 30/10.

Optional modesty panel:

- Mild steel sheet 15/10
- Epoxy powder coated

Finishing:

- Epoxypolyester powder coated
- Chromed



UNI EN 15372

