

# POLYTONE-0

## visitor, conference & dining chairs

Design by Orlandini Design | Italy



### FEATURES

- Stackable
- Suitable for indoor-outdoor use
- Made from high quality plastic or recycled plastic
- Available with or without armrests

### GUARANTEE

- 5 years

### TECHNICAL INFORMATION

#### Types

- Visitor, conference & dining chairs

#### Seat and back

- Seat and back made from high quality PP (polypropylene) plastic or recycled plastic;
- Chair possible with or without armrests in one colour, made from high quality PP (polypropylene) plastic or recycled plastic.

#### Bases

- 4 leg base, made out of high quality PP (polypropylene) plastic.

#### Glides

- Transparent soft plastic glides.

#### Accessories

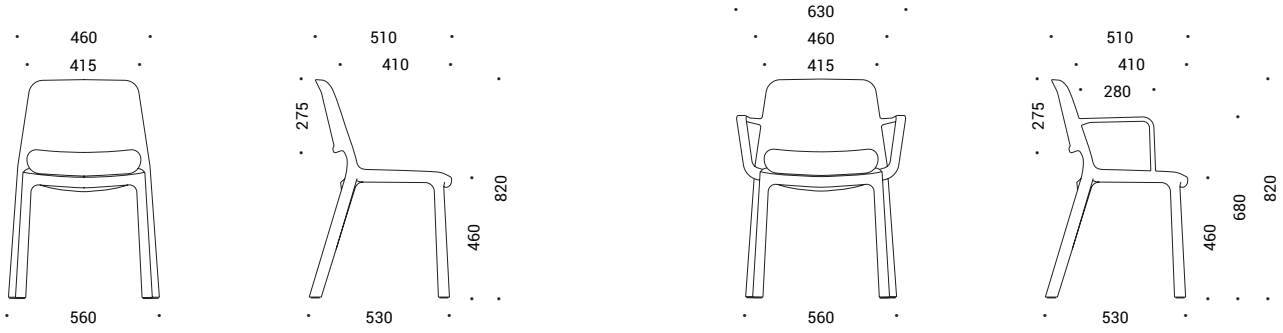
- Trolley for transporting chairs.

#### Stacking / Stacking with trolley

- Chairs without armrests can be stacked up to 10 pcs.;
- Chairs with armrests – up to 5 pcs.

## RANGE

### Visitor, conference & dining chairs



### Trolley

