



## QUALITY STANDARD

- LST EN 16139:2013
- LST EN 16139:2013/AC:2013

## TECHNICAL INFORMATION

### Type

- Visitor chairs

### Seat

- Fixed, lower part (inner and outer) made of PP (polypropylene);
- Foam made of polyurethane;
- Fabric or leather look upholstered

### Backrest

- Frame made of black or white plastic;
- Mesh upholstered

### Armrests

- Chromed frame covered with black or white plastic;
- Armrest pad fixed, made of plastic.

### Mechanism

- Polished or black;
- Fixed, height adjustment by side lever.

### Gas lift

- Chromed or black colour;
- 130 mm run range.

### Bases

- Five-star polished aluminium base;
- Five-star black or white fiberglass reinforced plastic base;
- Five-star external Ø700 mm;
- Four-star polished or black powder-coated aluminium base;
- Four-star external Ø670;
- Four legs metal tube frame, chromed or powder coated;

- Cantilever metal tube frame, chromed or powder-coated.

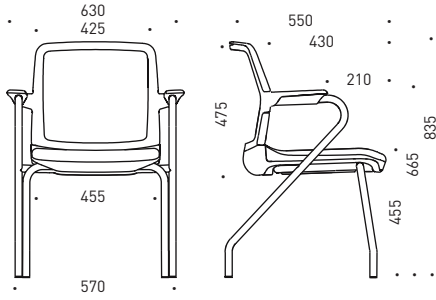
### Castors and glides

- Rubber free wheel castors for hard floor, Ø65 mm (five-star base);
- PA (polyamide) free wheel castors for soft floor, Ø65 mm (five-star base);

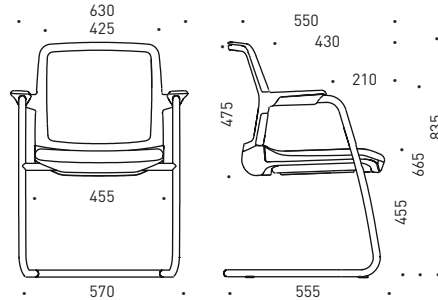
# GUARANTEE

- 5 years

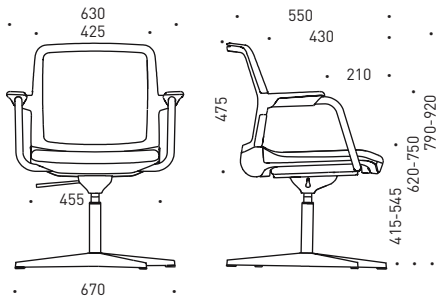
# RANGE



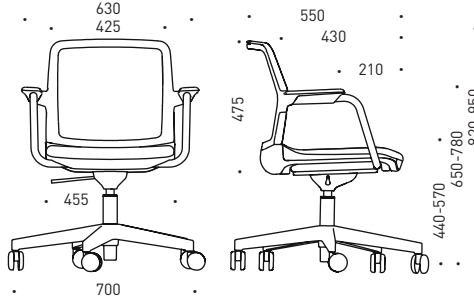
4-leg base



Cantilever base



4-star swivel base



5-star swivel base with castors