



QUALITY STANDARD

- LST EN 1335-1:2000
- LST EN 1335-1:2000/AC:2003
- LST EN 1335-2:2009

TECHNICAL INFORMATION

Types

- Executive, task chairs.

Seat

- Foam made of polyurethane.

Back

- Frame made of black or white plastic;
- Upholstered with mesh.

Lumbar support

- Height adjustable;
- Made of white or black plastic.

Armrests

- Fixed black plastic armrests;
- Height adjustable black or white plastic armrests;
- Height adjustable black plastic armrests with soft PU (polyurethane) pads.
- 2D (two directions) adjustable polished aluminium armrests. Upper part coated with a PU (polyurethane) pads, soft touch. Adjustable in height, top moving forward and backward.

Mechanism

- Epron: mechanism with synchronized movement of seat and back, 5 locking positions of the backrest, hand wheel tension adjustment;
- Epron Plus: synchronized mechanism, 5 locking positions of the backrest, tension adjustment with quick side tension regulation by lever.

Gas lift

- Chromed or black colour;
- 120 mm run range.

Bases

- Five-star polished aluminium, black plastic with fiberglass;
- External Ø680 mm.

Castors

- Rubber free wheel castors for hard floor, Ø65 mm;
- PA (polyamide) free wheel castors for soft floor, Ø65 mm.

Headrest

- Fixed;
- Made of soft polyurethane.

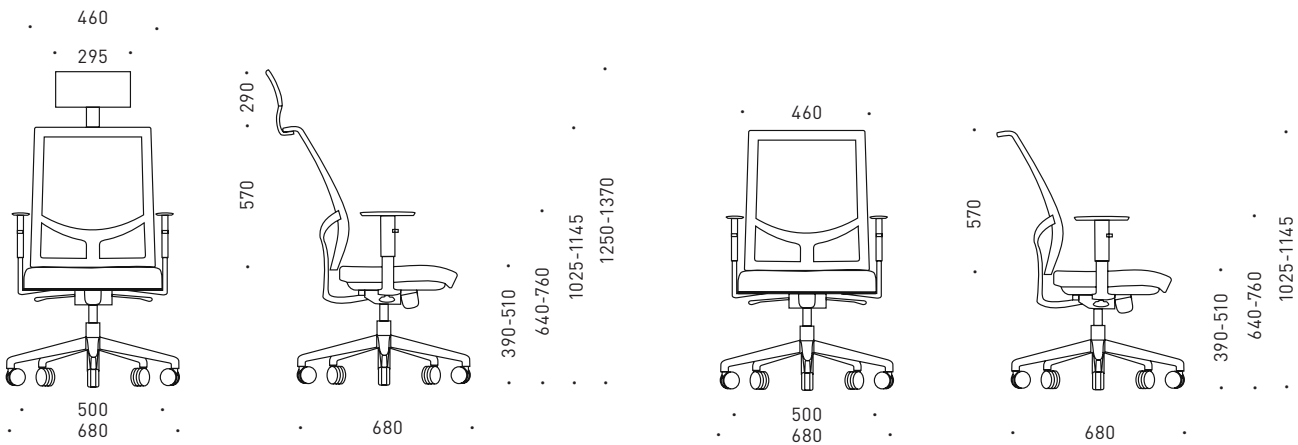
MATERIALS

- Fabric: BONDAL, XTREME PLUS, VELITO, BERTA, ERA, SYNERGY, STEP/STEP Melange;
- Leather look: RNN;
- Mesh PM, GM.

GUARANTEE

- 5 years

RANGE



Executive

Task

ORDERING EXAMPLE

Code structure



Optional



Fixed black plastic armrests



Height adjustable white plastic armrests



Height adjustable black plastic armrests



Height adjustable armrests with soft PU pads



2D height adjustable armrests