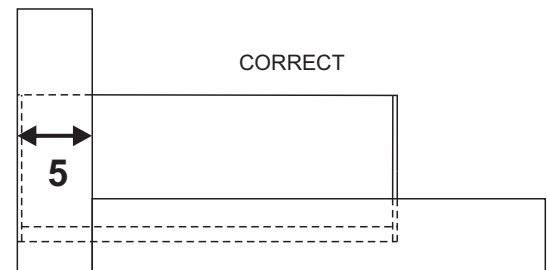
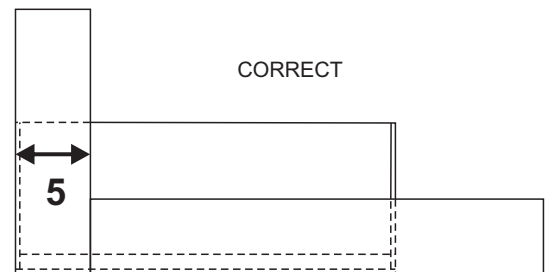
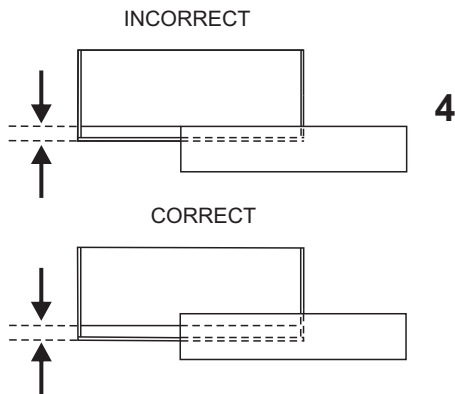
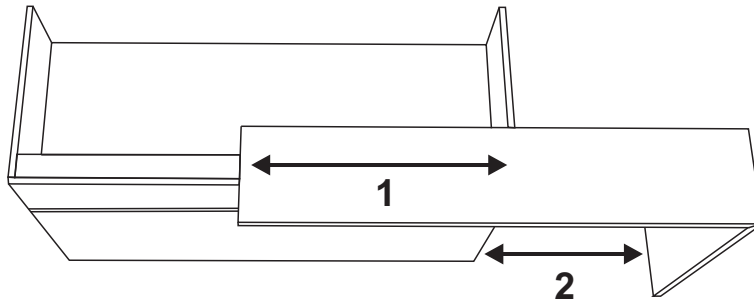


AXER RECEPTION COUNTERS

ASSEMBLY

1. Part of the worktop laying on the counter should be no shorter than 600 mm;
2. Distance between worktop and the counter should be no shorter than 350 mm and no longer than 1500 mm;
3. 1+2 maximal length of the worktop - 2400 mm;
4. Worktop should be mounted to the counter minimally on half of its depth;
5. If worktop is supported on a side, it needs to be supported by the counter on its entire width.



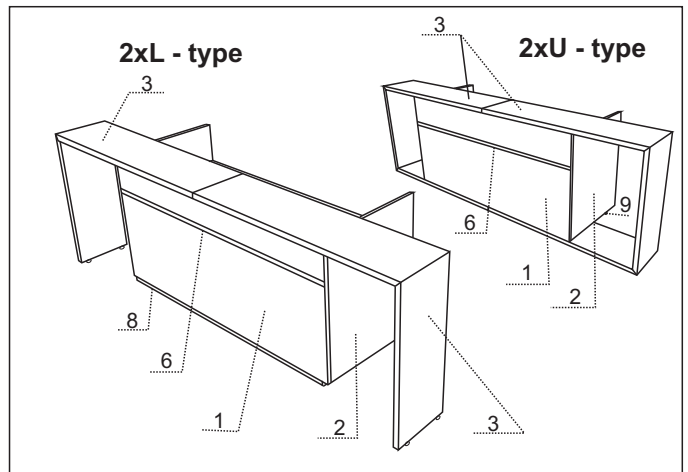
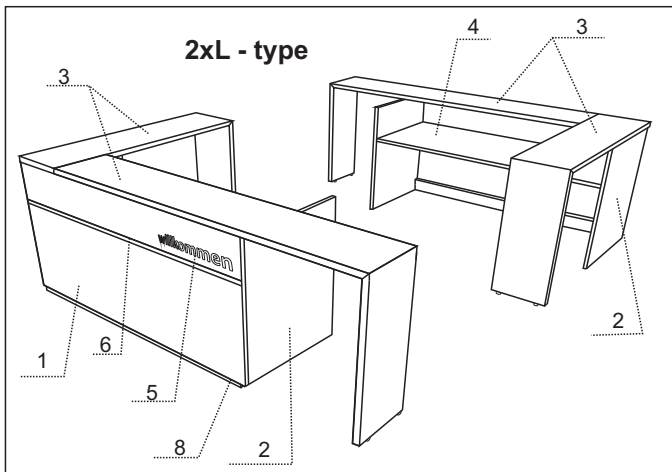
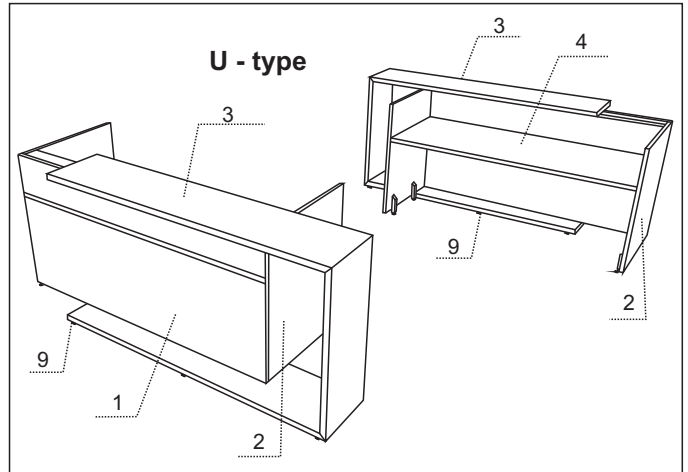
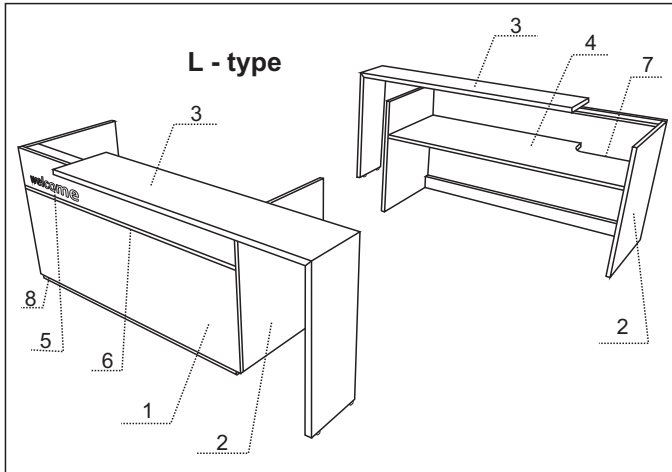
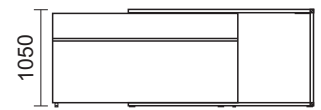
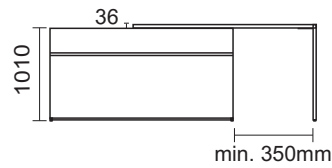
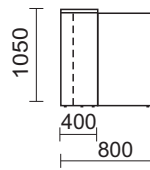
| | | COLORS | FRONT | SIDES | TABLE TOP | WORKTOP | CONSTRUCTION ELEMENTS | |
|-------------------------------------|---------------|--------------------------------------|-------|-------|-----------|---------|-----------------------|---|
| MELAMINE | GROUP 1 | White U1 | ● | ● | ● | ● | — | |
| | | Grey U2 | — | — | — | ● | — | |
| | | Beige Cashmere U10 | — | — | — | ● | — | |
| | | Graphite U11 | — | — | — | ● | — | |
| | | Cherry Havana D1 | — | — | — | ● | — | |
| | GROUP 2* | High Gloss White U9 ^(HG) | — | — | — | — | ● | — |
| | | High Gloss Orange U8 ^(HG) | — | — | — | — | ● | — |
| High Gloss Green U7 ^(HG) | | — | — | — | — | ● | — | |
| METAL | White M02 | — | — | — | — | — | ● | |
| | Aluminium M01 | — | — | — | — | — | — | |
| | Graphite M05 | — | — | — | — | — | — | |
| | Black M04 | — | — | — | — | — | — | |

* Surcharge for the Price Group 2 (+7%)

Full collection of chipboards available at: www.PFLEIDERER.com
Other metal colors available according to RAL palette.

AXER RECEPTION COUNTERS

1. Front;
2. Sides;
3. Worktop;
4. Table top;
5. Polished steel inscription - OPTION;
6. Polished steel decorative strip;
7. Monitor shelf - OPTION;
8. Illuminated base;
9. Leveling feet.



MATERIAL / CONSTRUCTION

FRONT:

High quality 25 mm, E1 chipboard, coated with melamine resin on both sides, 2 mm plastic edge with a radius of 3 mm;

TABLE TOP:

High quality 36 mm, E1 chipboard, coated with melamine resin on both sides, 2 mm plastic edge with a radius of 3 mm;

Table top height - 740 mm;

Monitor shelf - as an OPTION;

Cable outlet - as an OPTION;

SIDES:

High quality 25 mm, E1 chipboard, coated with melamine resin on both sides, 2 mm plastic edge with a radius of 3 mm;

Front + sides available in white U1 color ONLY;

PLINTH AND DECORATIVE STRIP:

Counter with L-type worktop has illuminated plinth - as STANDARD;

U-type worktop has leveling feet;

Polished steel decorative strip - as STANDARD;

Polished steel inscription in one of three languages - as an OPTION;

WORKTOP:

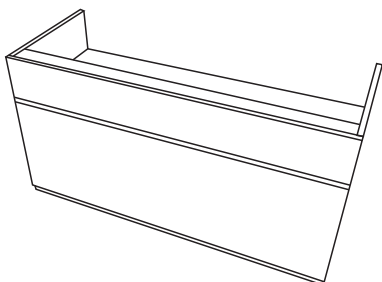
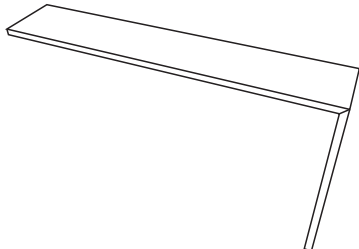
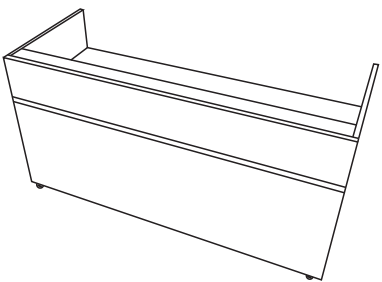
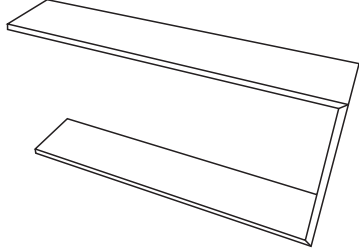
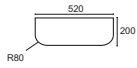
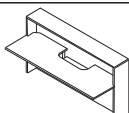
High quality 36 mm, E1 chipboard, coated with melamine resin on both sides, 2 mm plastic edge with a radius of 3 mm;

Plates have beveled edges that are connected together;

NOTE:

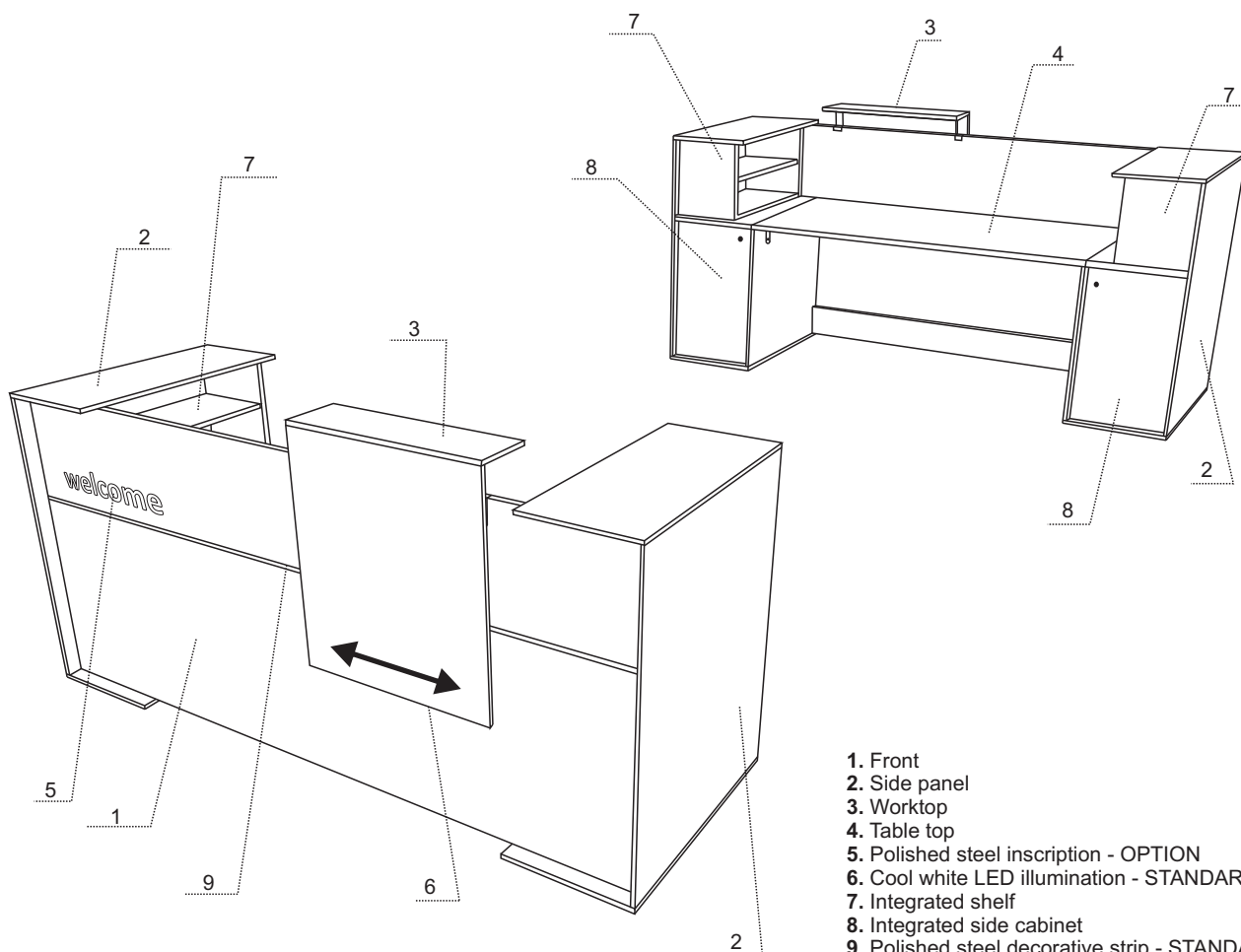
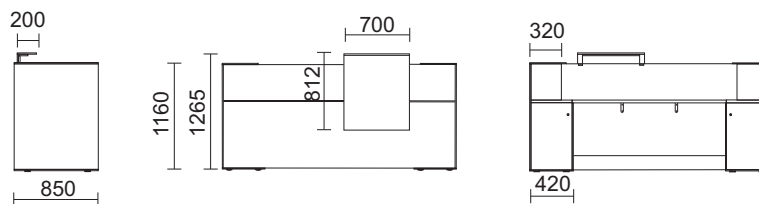
Worktop needs to be affixed to the counter. Position can be freely chosen within the minimal criteria stated below.

AXER RECEPTION COUNTERS

| COUNTERS | LENGHT (MM) | CODE NET PRICE | WORKTOP | LENGHT (MM) | CODE NET PRICE |
|---|---|-------------------|--|-------------|-------------------|
| 1. L-type counter H = 1010 mm D = 800 mm  | 1600 | MXL16 | 3. L-type worktop H = 1050 mm D = 400 mm  | 1400 | MYL14 |
| | | | | 1600 | MYL16 |
| | 1800 | MXL18 | | 1800 | MYL18 |
| | | | | 2000 | MYL20 |
| | 2000 | MXL20 | | 2200 | MYL22 |
| | | | | 2400 | MYL24 |
| 2. U-type counter H = 1010 mm D = 800 mm  | 1600 | MXU16 | 4. U-type worktop H = 1050 mm D = 400 mm  | 1400 | MYU14 |
| | | | | 1600 | MYU16 |
| | 1800 | MXU18 | | 1800 | MYU18 |
| | | | | 2000 | MYU20 |
| | 2000 | MXU20 | | 2200 | MYU22 |
| | | | | 2400 | MYU24 |
| SURCHARGES | Welcome inscription choice of position - right or left (from front perspective), please specify language | | witamy welcome willkommen | H=110 | |
| | Monitor shelf choice of position - right, left or center (from sitting person's perspective) | |   | 520 x 200 | |

NOTES

NIVERO RECEPTION COUNTERS



- 1. Front
- 2. Side panel
- 3. Worktop
- 4. Table top
- 5. Polished steel inscription - OPTION
- 6. Cool white LED illumination - STANDARD
- 7. Integrated shelf
- 8. Integrated side cabinet
- 9. Polished steel decorative strip - STANDARD

MATERIAL / CONSTRUCTION KONSTRUKCJA

FRONT:

High quality 18 mm, E1 chipboard, coated with melamine resin on both sides, 2 mm plastic edge with a radius of 3 mm;

TABLE TOP:

High quality 25 mm, E1 chipboard, coated with melamine resin on both sides, 2 mm plastic edge with a radius of 3 mm;

Table top height - 780 mm;

Monitor shelf as - as an OPTION;

Cable outlet - as an OPTION;

SIDE PANELS:

Side panels 12 mm thick;

From the inside of the counter, there are integrated shelves on the table top and cabinets below the table top on both sides;

DECORATIVE STRIP:

Polished steel decorative strip - STANDARD;

Polished steel inscription - OPTION available for counters 2200 mm or 2400 mm;

WORKTOP:

Integrated cool white LED illumination - as STANDARD;

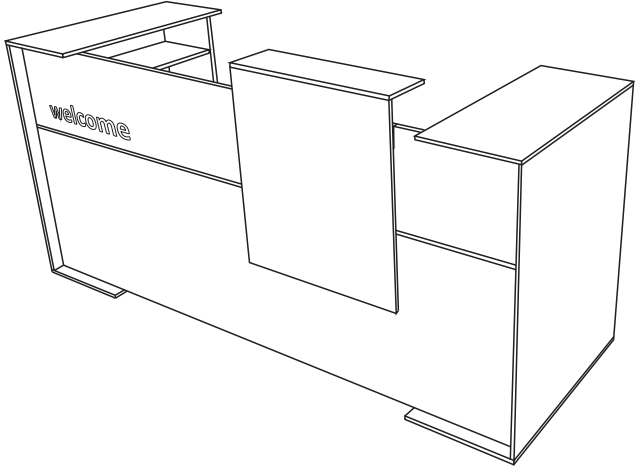

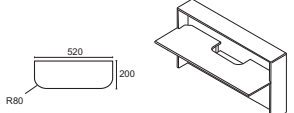
Choice of position - left, middle, right (middle as standard).

NIVERO RECEPTION COUNTERS

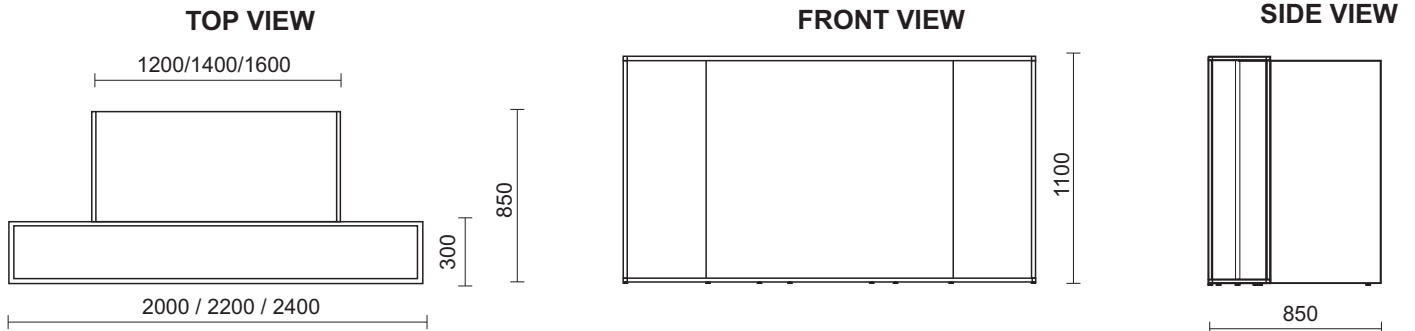
| | | COLORS | FRONT | SIDES | TABLE TOP | WORKTOP | METAL CONSTRUCTION |
|----------|---------------|--------------------------------------|-------|-------|-----------|---------|--------------------|
| MELAMINE | GROUP 1 | White U1 | ● | ● | ● | ● | — |
| | | Grey U2 | ● | — | ● | — | — |
| | | Graphite U11 | ● | — | ● | ● | — |
| | | Walnut Maroni D10 | ● | — | ● | — | — |
| | | Light Maple D7 | ● | — | ● | — | — |
| | | Oak Napolitano D3 | ● | — | ● | — | — |
| | | Beech D2 | ● | — | ● | — | — |
| | | Cherry Havana D1 | ● | — | ● | — | — |
| | GROUP 2* | High Gloss White U9 _(HG) | ● | — | — | — | — |
| | | High Gloss Orange U8 _(HG) | ● | — | — | — | — |
| | | High Gloss Green U7 _(HG) | ● | — | — | — | — |
| | | Scandinavian Oak DR4 | ● | — | ● | — | — |
| | | Walnut Madison DR1 | ● | — | ● | — | — |
| | | Chestnut Fumo DR2 | ● | — | ● | — | — |
| METAL | White M02 | — | — | — | — | ● | |
| | Aluminium M01 | — | — | — | — | ● | |
| | Graphite M05 | — | — | — | — | ● | |
| | Black M04 | — | — | — | — | ● | |

Full collection of chipboards available at: www.PFLIDERER.com
Other metal colors available according to RAL palette.

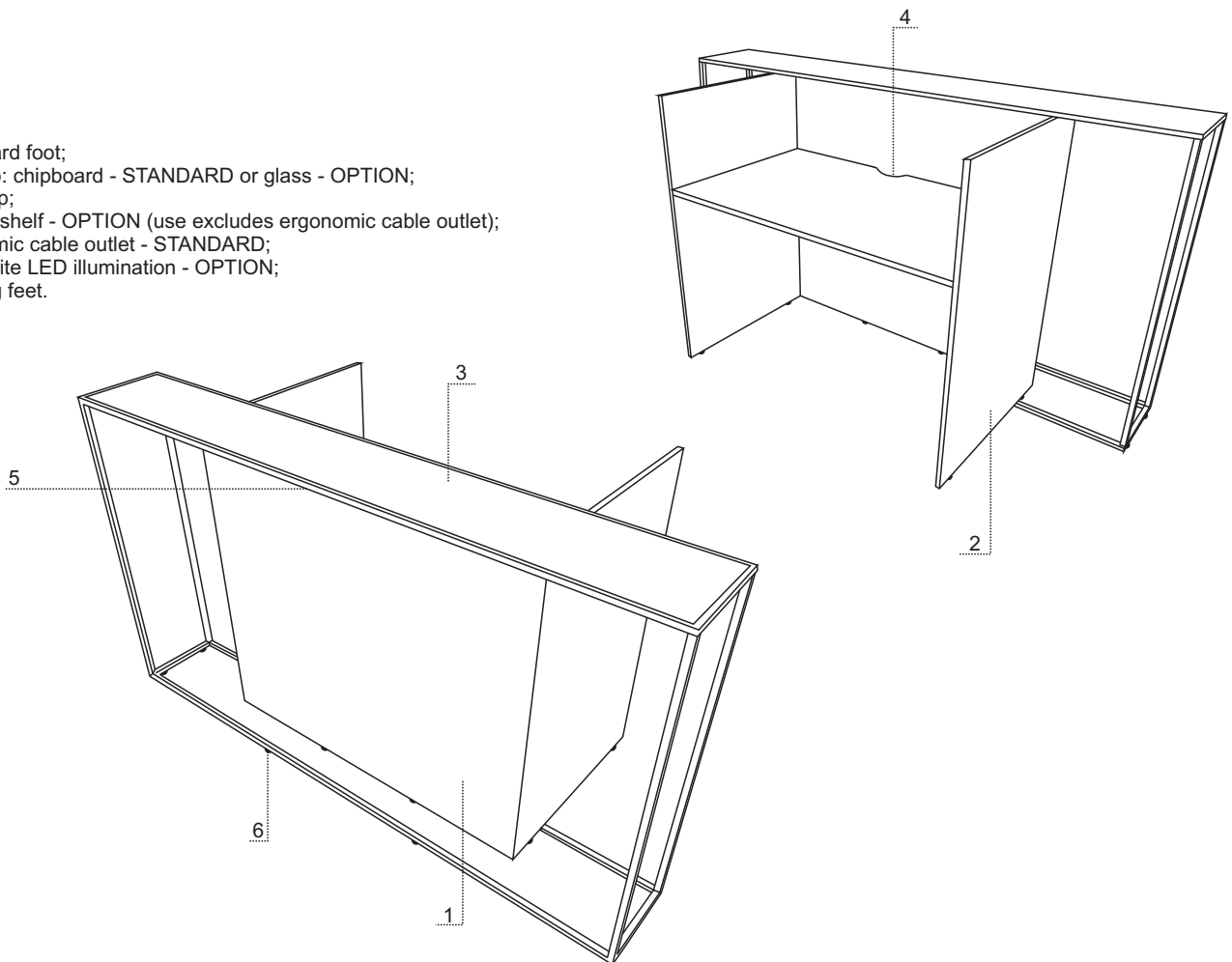
* Surcharge for the Price Group 2 (+7%)

| COUNTER | LENGHT (MM) | CODE | NET PRICE |
|---|---|--|-----------|
| <p>H = 1265 mm (with worktop) D = 850 mm</p>  | 1800 | NI 01 | |
| | 2000 | NI 02 | |
| | 2200 | NI 03 | |
| | 2400 | NI 04 | |
| SURCHARGES | <p>Welcome inscription choice of position - right or left (from front perspective), please specify language For counters 2200 and 2400 mm wide.</p> |  | H=110 |
| | <p>Monitor shelf choice of position - right, left or center (from sitting person's perspective)</p> |  | 520 x 200 |

SINTO RECEPTION COUNTERS



1. Front;
2. Chipboard foot;
3. Worktop: chipboard - STANDARD or glass - OPTION;
4. Table top;
5. Monitor shelf - OPTION (use excludes ergonomic cable outlet);
6. Ergonomic cable outlet - STANDARD;
7. Cool white LED illumination - OPTION;
8. Leveling feet.



MATERIALS AND FEATURES

FRONT and SIDES:

- high-quality E1 chipboard, coated with melamine resin on both sides, 18 mm thick, 2 mm plastic edge with a radius of 3 mm;

TABLE TOP:

- high-quality E1 chipboard, coated with melamine resin on both sides, 18 mm thick, 2 mm plastic edge with a radius of 3 mm; supported with a beam;

- table top height - 740 mm;

- ergonomic cable outlet as STANDARD;

- monitor shelf as an OPTION, this option excludes ergonomic cable outlet;

WORKTOP:

- HPL coated 12 mm chipboard - as STANDARD or 12 mm tempered glass as an OPTION;

METAL CONSTRUCTION

- high quality 20 x 20 mm profile;

LED ILLUMINATION:

Cool white LED illumination as an OPTION.

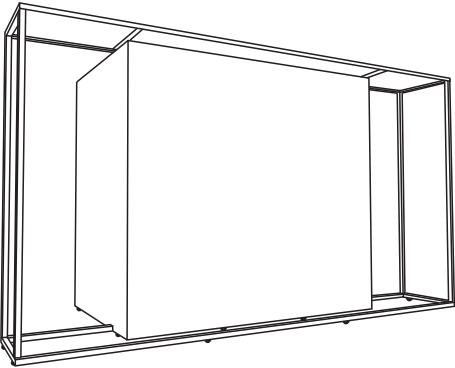
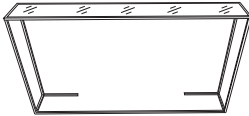
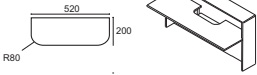
SINTO RECEPTION COUNTERS

| | | COLORS | FRONT + SIDES | TABLE TOP | WORKTOP | METAL CONSTRUCTION |
|---------------|--------------------------|--------------------|-------------------------|-----------|---------|--------------------|
| MELAMINE | GROUP 1 | White U1 | ● | ● | ● | — |
| | | Grey U2 | ● | ● | ● | — |
| | | Platinum Grey U6 | ● | ● | ● | — |
| | | Beige Cashmere U10 | ● | ● | ● | — |
| | | Graphite U11 | ● | ● | ● | — |
| | | Light Maple D7 | ● | ● | ● | — |
| | | Acacia D11 | ● | ● | ● | — |
| | | Oak Napolitano D3 | ● | ● | ● | — |
| | | Beech D2 | ● | ● | ● | — |
| | | American Oak D12 | ● | ● | ● | — |
| | | Cherry Havana D1 | ● | ● | ● | — |
| | | Walnut Maroni D10 | ● | ● | ● | — |
| | | GROUP 2* | High Gloss White U9(HG) | ● | — | — |
| | High Gloss Orange U8(HG) | | ● | — | — | — |
| | High Gloss Green U7(HG) | | ● | — | — | — |
| | Scandinavian Oak DR4 | | ● | ● | ● | — |
| | Walnut Madison DR1 | | ● | ● | ● | — |
| | Chestnut Fumo DR2 | | ● | ● | ● | — |
| | METAL | White M02 | — | — | — | ● |
| Aluminium M01 | | — | — | — | ● | |
| Graphite M05 | | — | — | — | ● | |
| Black M04 | | — | — | — | ● | |
| GLASS | White Lacobel | — | — | ● | — | |
| | Black Lacobel | — | — | ● | — | |

Full collection of chipboards available at: www.PFLEIDERER.com
Other metal colors available according to RAL palette.

* Surcharge for the Price Group 2 (+7%)

SINTO RECEPTION COUNTERS

| COUNTER | | LENGHT (MM) | CODE | NET PRICE |
|--|---|--|---|-----------|
| H = 1100 mm D = 850 mm  | | 2000 (TABLE TOP 1200) | SIN 01 | |
| | | 2200 (TABLE TOP 1400) | SIN 02 | |
| | | 2400 (TABLE TOP 1600) | SIN 03 | |
| SURCHARGES | Tempered glass worktop white or black LACOBEL |  | For SIN 01 For SIN 02 For SIN 03 | |
| | Monitor shelf choice of position - right, left or center (from sitting person's perspective) |  | 520 x 200 | |
| | Cool white LED illumination | LED | For SIN 01 For SIN 02 For SIN 03 | |

NOTES