

Mesh S technical specification



MDD has a leading position among manufacturers of office furniture with many awards that prove quality and continuously increase demand for its products.

The realities of today's market require constant quality improvement at all levels of modern organization. This applies in particular to customer service, marketing, quality of products and also to quality of processes within the company. Partnership relations among employees and with business partners form a base of economic growth and success of the company.

Constant investments in innovative machinery park, optimization of management systems and an expansion of production halls allow to minimize the lead times for the product of the highest quality.

More than twenty years of experience in office furniture industry come with reference from a long list of companies and institutions to show their appreciation for an efficient and comprehensive service.

MDD is highly aware of the environment.

Being located in the forest region with lake by its side, MDD takes the nature seriously and invests constantly in a modern and energy-efficient solutions to preserve the local life. Company puts emphasis on waste segregation and recycling. MDD has been awarded for the exceptional care and involvement in waste disposal. All materials used are environmentally friendly and enjoy a high 95 % rate of being recycled.



General informations:

Warranty:

MDD products - **5 years.**

Electrical components and fabric - **2 years.**

Certificate - MFC:



Certificate - fabric:



Plate density:

12 mm - 690 - 750 kg/m³

18 mm - 650 - 690 kg/m³

28 mm - 610 - 630 kg/m³

36 mm - 610 - 630 kg/m³

Prizes and awards:



Assembly:

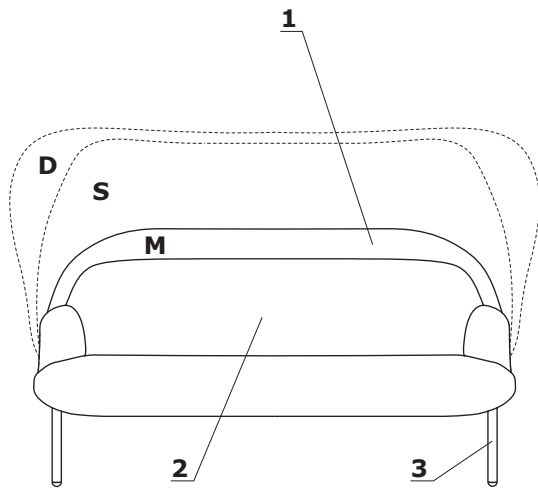
the product comes pre-assembled

Packing:

cardboard

Mesh S	Date of preparation 08.01.2020	The data contained in this document is valid in the day of its preparation. Change of the product, as long as it does not affect the basic features of it, does not require consistent updates of the document.	page 2/9 general informations
--------	-----------------------------------	---	---

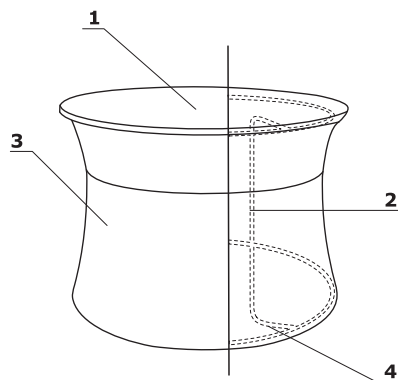
Technical specification - Mesh



1. **Shield** - mesh (Runner), frame $\varnothing 25$ mm, upholstered, two fabric layers attached to the frame with zip
 - M - small shield
 - S - medium shield
 - D - large shield
2. **Seat, backrest, armrests** - moulded foam, density of 55 kg/m³, upholstered
3. **Base** - 4-legged, metal, powder coated, $\varnothing 25$ mm, wall thickness 1,5 mm, CNC-bent, legs finished with polypropylene feet, colour: white - white frame; colour: black - other frame colours

- max. load 120 kg

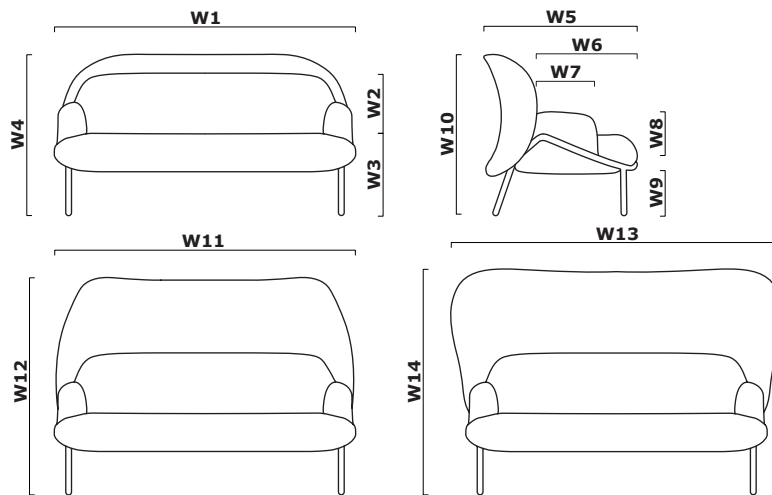
Technical specification - side tables



1. **Worktop** - MFC 12 mm
2. **Frame** - tubular structure mounted on the MFC-base, tube $\varnothing 16$ mm, wall thickness 2 mm, CNC-bent
3. **Fabric - Runner** - upper and lower part
4. **Feet** - adjustment range 10 mm

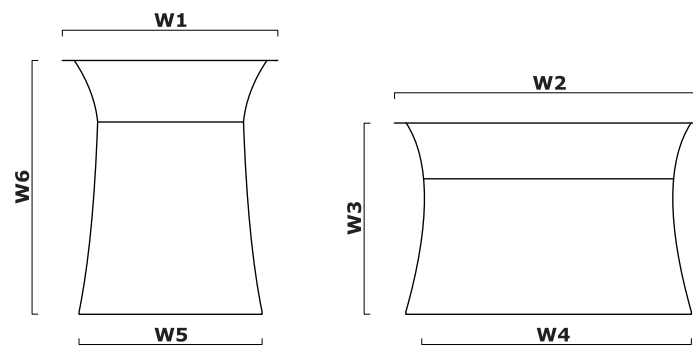
Mesh S	Date of preparation 08.01.2020	The data contained in this document is valid in the day of its preparation. Change of the product, as long as it does not affect the basic features of it, does not require consistent updates of the document.	page 3/9 technical specification
---------------	-----------------------------------	---	--

Dimensions - Mesh



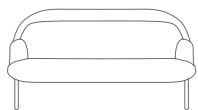
W1 - M - 1800 | W2 - 380 | W3 - 420 | W4 - 900 | W5 - M/S/D - 900 | W6 - 600 | W7 - 360 | W8 - 180 | W9 - 250 | W10 - 900 | W11 - S - 1820 | W12 - 1250 | W13 - D - 1900 | W14 - 1250 |

Dimensions - side tables

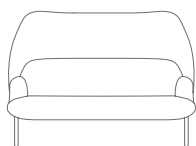


W1 - 450 | W2 - 650 | W3 - 468 | W4 - 600 | W5 - 400 | W6 - 579 |

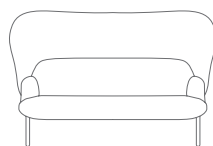
MESHS - shield *



M (mała)
42 kg



S (średnia)
45 kg



D (duża)
48 kg

Side tables *



MESHT2
450 / 450 / 579
6 kg



MESHT1
650 / 650 / 486
7 kg

* dimensions expressed in millimeters: width x depth x height

Mesh S	Date of preparation 08.01.2020	The data contained in this document is valid in the day of its preparation. Change of the product, as long as it does not affect the basic features of it, does not require consistent updates of the document.	page 5/9
			products

Shield - Fabric Runner - second price group



Technical data:	
Material	polyester 100%
Fabric weight	510 g/lm (16.45 oz/lin.yd.)
Abrasion resistance rubs	BS EN ISO 12947-2 70,000 Martindale cycles
Pilling resistance	scale 1-5, max 5, EN ISO 12945-2 (4-5)
Colour fastness to light	scale 1-8, max 8, EN ISO 105-B02 (5-7)
Colour fastness to rubbing	scale 1-5, max 5, EN ISO 105x12 (wet/dry) 4-5
Acoustic test sound absorption	ISO 354
Flammability	BS EN 1021-2 Match, CA TB 117-2013, BS EN 1021-1 (cigarette) Class Uno UNI 9175 Class 2, EMME

Seat - Fabric Medley - second price group



Technical data:	
Material	polyester 100%
Fabric weight	510 g/lm (16.45 oz/lin.yd.)
Abrasion resistance rubs	BS EN ISO 12947-2, 75,000 cykli Martindale
Pilling resistance	scale 1-5, max. 5, EN ISO 12945-2 (4)
Colour fastness to light	scale 1-8, max. 8, EN ISO 105-B02 (5-7)
Colour fastness to rubbing	scale 1-5, max. 5, EN ISO 105x12 (wet/dry) (4-5/4-5)
Acoustic test sound absorption	ISO 354
Flammability	BS EN 1021-1 (cigarette) BS 476 Part 7, Class 2 Class Uno UNI 9174 - UNI 8457 CA TB 117-2013 ASTM E 84 Class I

Seat - Fabric Atlantic * - second price group



Technical data:	
Material	polyester 100%
Fabric weight	530 g/lm (17.09 oz/lin.yd.)
Abrasion resistance rubs	BS EN ISO 12947-2, 110,000 Martindale cycles
Pilling resistance	scale 1-5, max. 5, EN ISO 12945-2 (4-5)
Colour fastness to light	scale 1-8, max. 8, EN ISO 105-B02 (5-7)
Colour fastness to rubbing	scale 1-5, max. 5, EN ISO 105x12 (wet/dry)
Flammability	CA TB 117-2013 ASTM E 84 Class I BS EN 1021-2 (match) BS EN 1021-1 (cigarette)

* There is a possibility of ordering the product in full colour spectrum of Atlantic range, as per Gabriel's pattern book, within 8 weeks

Mesh S	Date of preparation 11.02.2020	The data contained in this document is valid in the day of its preparation. Change of the product, as long as it does not affect the basic features of it, does not require consistent updates of the document.	page 6/9
			colours

Seat - Fabric Vita - second price group



Technical data:

Material Surface: 98,5% PVC, 1,5% PU
Substrate: 50% polyester, 50% Cotton

Fabric weight 850g/m² ± 10% (1190G/lin. m ± 10%)

Abrasion resistance rubs BS EN ISO 5470-2, 100,000 Martindale cycles

Colour fastness to light 6 (ISO 105 - B02)

Colour fastness to rubbing wet: 4, dry: 4 (ISO 105 - X12)

Flammability BS EN 1021 - (cigarette)
BS EN 1021 - 2 (match)
BS 5852 - (Ignition Source 5)
BS 7176 - (Medium Hazard)

Flexes BS EN ISO 7854 - Method B,
400.000 Flexing cycles

Anti-microblal / Anti-fungal AATCC 147

Seat - Fabric River - second price group



Technical data:

Material polyester 100%

Fabric weight 300g/m² (+/- 5%)

Abrasion resistance rubs 100,000 Martindale cycles (EN ISO 12947-1,2)

Pilling resistance EN ISO 12945-2 (5)

Colour fastness to light 4 (EN ISO 105-B02)

Colour fastness to rubbing dry: 4-5, wet: 3 (EN ISO 105-x12)

Flammability BS 5852: Part 1,
Ignition Source 0 (cigarette)
BS 5852: Part 1,
Ignition Source 1 (match)
En1021 - 2

Seat - Fabric Xtreme - third price group



Technical data:

Material 100% Trevira Clame (CS)
100% Recykling (YS)
Flame Retardant polyester.
Non metallic dyestuffs.

Fabric weight 310 g/m² ±5% (435g/lin.m ±5%)

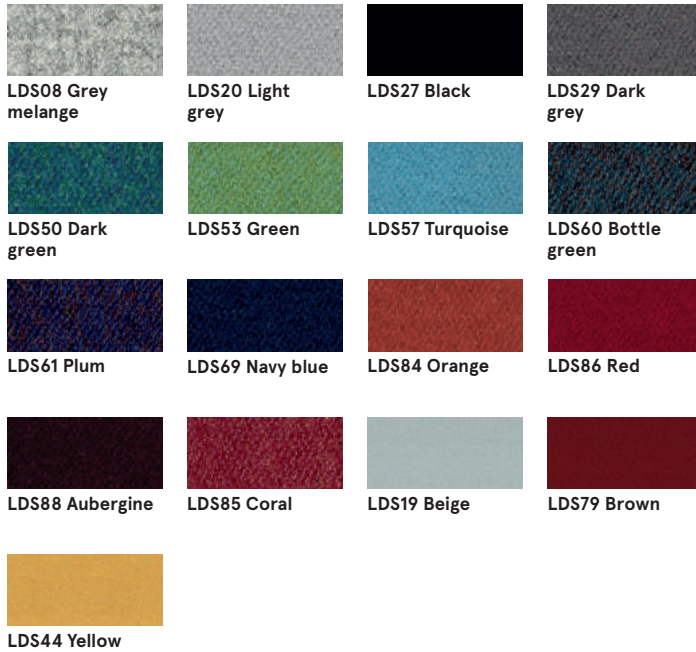
Abrasion resistance rubs 60,000 Martindale cycles (CS)
100,000 Martindale cycles (YS)

Colour fastness to light 6 (ISO 105 - B02)

Colour fastness to rubbing wet: 4, dry: 4 (ISO 105 - X12)

Flammability EN 1021 - 1 (cigarette),
EN 1021 - 2 (match)
BS 7176 Low Hazard,
NF P92-507 M1, DIN 4102 B1,
UNI 9175 Class 1 IM, UNI 8456,
UNI 9174 & UNI 9177 Classe Uno,
ÖNORM B 3825 & A 3800-1
NF D 60-013

Fabric Synergy - third price group



Technical data:

Material	95% Virgin Wool, 5% Poliamid
Fabric weight	400g/m2 ±5% (560 g/lin.m ±5%)
Abrasion resistance rubs	Independently certified ≥100,000 Martindale cycles
Colour fastness to light	5 (ISO 105 - B02)
Colour fastness to rubbing	ISO 105 - X12 - wet: 4, dry: 4
Flammability	EN 1021 - 1 (cigarette, EN 1021 - 2 (match), BS 7176 Low Hazard, UNI 9175 Classe 1 IM, ÖNORM B 3825 & A 3800-1

Fabric Atlas - fourth price group



Technical data:

Material	90% new wool, 10% nylon
Fabric weight	286g/m2, 400g/lm
Abrasion resistance rubs	100,000 cykli Martindale, EN ISO 12947
Colour fastness to light	ISO 105 B02: 6-7
Colour fastness to rubbing	ISO 105-X12:2001, (wet/dry) 4-5/4-5
Flammability	BS EN 1021-2 Match, BS EN 1021-1 Cigarette, BS 5 5852 Crib 5, BS 5852 ignition source 3, BS 5852 Part 1, NF D 60 013, UNI 9175 1IM, US Cal. Bull. 117-2013

Fabric Field2 - fourth price group



Technical data:

Material	100% Trevira CS
Fabric weight	321g/m2, 450g/lm
Abrasion resistance rubs	100,000 cykli Martindale, EN ISO 12947
Colour fastness to light	ISO 105 B02: 5-7
Flammability	BS EN 1021-2 Match, BS EN 1021-1 Cigarette, BS 5 5852 Crib 5, DIN 4102 B1 FAR 25.853, UNI 9177 classe 1, US Cal. Bull. 117-2013

Base



M010 Light grey
semi-matt RAL7044



M011 Dark grey
semi-matt RAL7042



M012 Dark green
semi-matt RAL6012



M013 Burgundy
semi-matt RAL3007



M014 Red
semi-matt RAL3016



M016 Pearl white
semi-matt RAL1013



M115 Black
semi-matt RAL9005

Side tables - top



26 Aluminum
satinato



31 Canadian oak



67 White pastel

Side tables - base (upper part, bottom part) - Fabric Runner - second price group



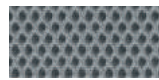
R-63034 Orange



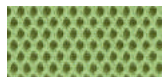
R-64089 Red



R-66063 Blue



R-60011 Grey



R-68056 Green



R-66064 Navy
Blue



R-60999 Black



R-60025
Graphite



R-61128 Beige



R-61130 Brown

Technical data:

Material	polyester 100%
Fabric weight	510 g/lm (16.45 oz/lin.yd.)
Abrasion resistance rubs	BS EN ISO 12947-2 70,000 Martindale cycles
Pilling resistance	scale 1-5, max 5, EN ISO 12945-2 (4-5)
Colour fastness to light	scale 1-8, max 8, EN ISO 105-B02 (5-7)
Colour fastness to rubbing	scale 1-5, max 5, EN ISO 105x12 (wet/dry) 4-5
Acoustic test sound absorption	ISO 354
Flammability	BS EN 1021-2 Match, CA TB 117-2013, BS EN 1021-1 (cigarette) Class Uno UNI 9175 Class 2, EMME