

Hako

technical specification



MDD has a leading position among manufacturers of office furniture with many awards that prove quality and continuously increase demand for its products.

The realities of today's market require constant quality improvement at all levels of modern organization. This applies in particular to customer service, marketing, quality of products and also to quality of processes within the company. Partnership relations among employees and with business partners form a base of economic growth and success of the company.

Constant investments in innovative machinery park, optimization of management systems and an expansion of production halls allow to minimize the lead times for the product of the highest quality.

More than twenty years of experience in office furniture industry come with reference from a long list of companies and institutions to show their appreciation for an efficient and comprehensive service.

MDD is highly aware of the environment.

Being located in the forest region with lake by its side, MDD takes the nature seriously and invests constantly in a modern and energy-efficient solutions to preserve the local life. Company puts emphasis on waste segregation and recycling. MDD has been awarded for the exceptional care and involvement in waste disposal. All materials used are environmentally friendly and enjoy a high 95 % rate of being recycled.



General informations:

Warranty:

MDD products - **5 years.**

Electrical components and fabric - **2 years.**

Certificate - MFC:



Boards density:

12 mm - 690 - 750 kg/m³

18 mm - 650 - 690 kg/m³

28 mm - 610 - 630 kg/m³

36 mm - 610 - 630 kg/m³

Certificate - fabric:



Assembly:

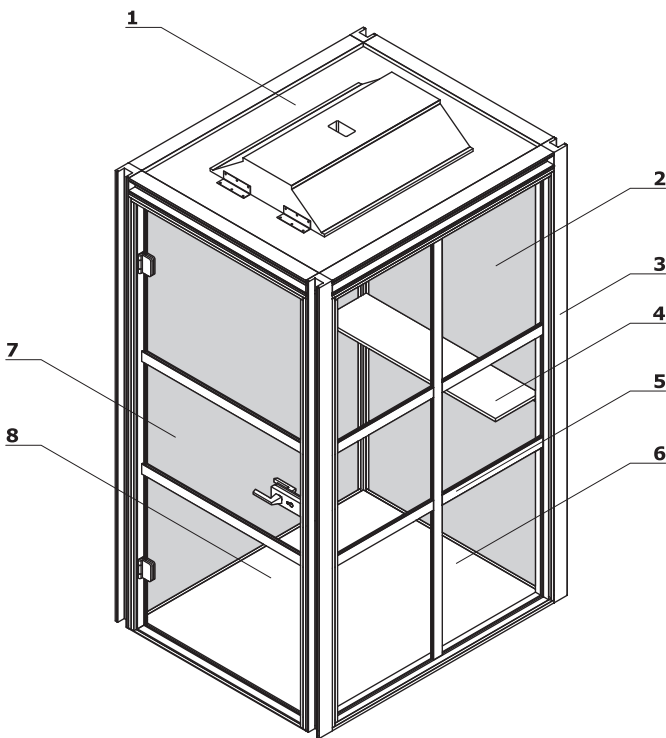
product delivered in separate elements

Packing:

wooden crates; separate elements situated on wooden racks; panels protected by a foil

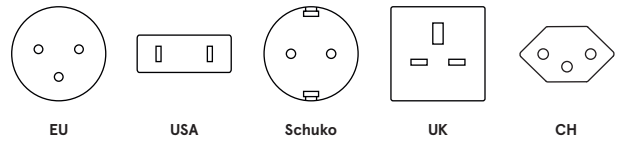
Hako	Date of preparation 16.07.2020	The data contained in this document is valid in the day of its preparation. Change of the product, as long as it does not affect the basic features of it, does not require consistent updates of the document.	page 2/12 general informations
------	-----------------------------------	-----------------------------------------------------------------------------------------------------------------------------------------------------------------------------------------------------------------	------------------------------------------

Office booth Hako



1. **Ceiling** - upholstered, equipped with lighting and ventilation system (adjustable ventilation speed)
2. **Upholstered wall** - full, 75 mm thick, upholstered on both sides, acoustic properties
3. **Columns** - 75x75 mm, powder coated
4. **Shelf** - 12 mm MDF, colour: black, can be mounted only to upholstered walls with 1000 mm width
5. **Aluminium strips** - 5 mm thick
6. **Glass wall** - toughened glass, 6 mm thick
7. **Glass door** - toughened glass, 8 mm thick, equipped with hinges and gasket system that extends the acoustic properties of the booth
8. **Floor** - melamine plate + acoustic covering (21mm thickness), colour: graphite - option with additional fee

Electric systems available:



Additional information:

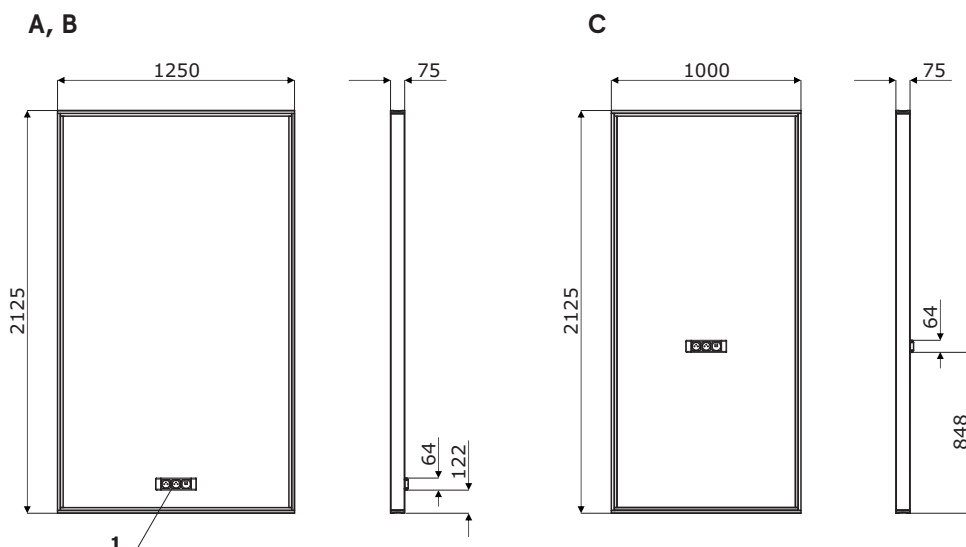
- walls - the highest class of acoustics
- certificated Sonic technology used in acoustic panels
- air function - fans work for additional 5 minutes after leaving the booth
- LED SLIM panel, 60x60 cm, external power supply; 40W, 3200lm, 4000k, 220-240V AC, 120', RA>80, PF>0.9, white, STANDARD LINE

Attention! In standard the booth has no floor what allows, among other things, situating the booth in any place as well as easy cable management.

Mediabox - dimensions (mm)

1. Mediabox - 2x230V + 1xUSB + 1xUSB type C

- A - on the left wall near the floor
- B - on the right wall near the floor
- C - on the shorter wall above 740mm height



Hako	Date of preparation 16.07.2020	The data contained in this document is valid in the day of its preparation. Change of the product, as long as it does not affect the basic features of it, does not require consistent updates of the document.	page 3/12 technical specification
-------------	-----------------------------------	-----------------------------------------------------------------------------------------------------------------------------------------------------------------------------------------------------------------	---------------------------------------------

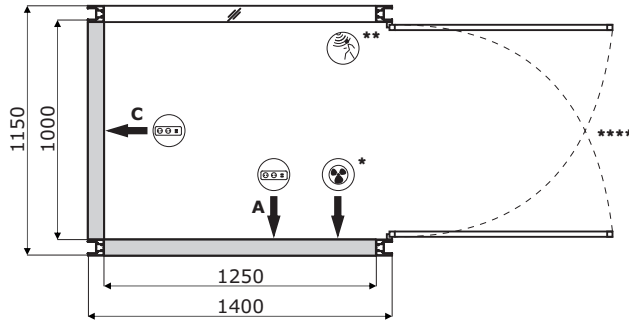
Hako

- 1. Mediabox - 2x230V + 1xUSB + 1xUSB type C
 - A - on the left wall near the floor
 - B - on the right wall near the floor
 - C - on the shorter wall above 740mm height
- HK01 (possible configurations: A, C, AC)
- HK04 (possible configurations: A, B, AB)
- HK021 (possible configurations: A, B, C, AB, AC, BC, ABC)

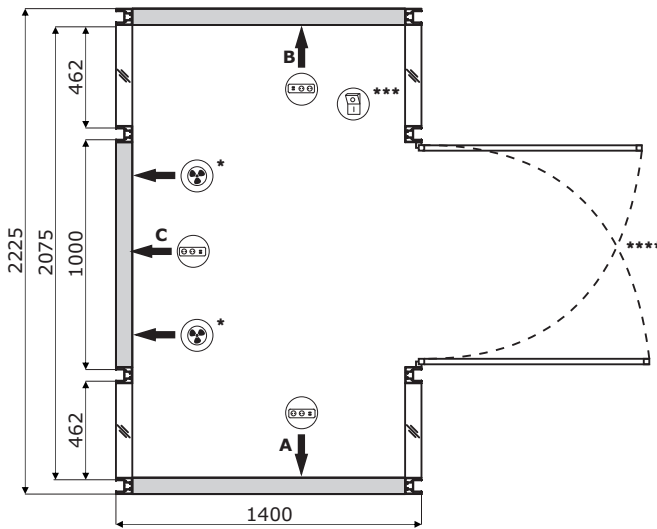
Legend:

- * fan (located near the floor) - Attention! It is suggested not to block fans to ensure the proper airflow rate
- ** motion sensor
- *** wireless light switch - which can be situated in any place
- **** left / right door option

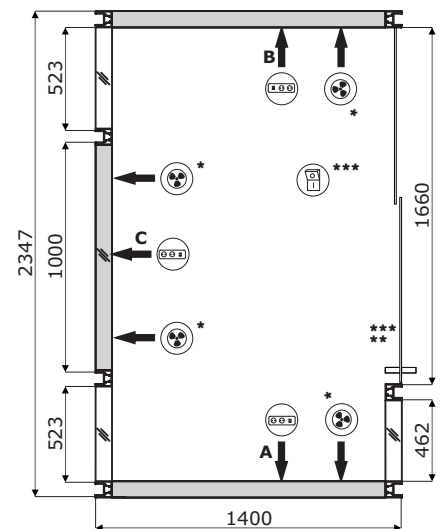
HK01



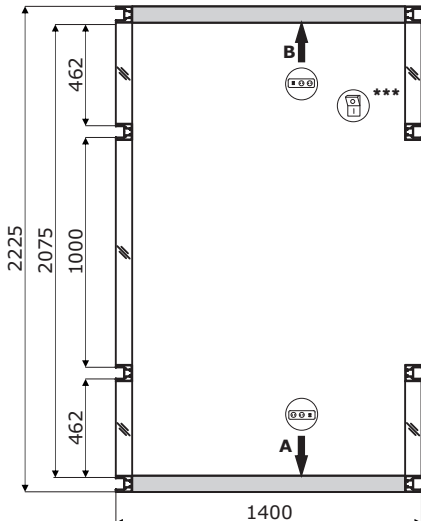
HK021



HK08



HK04

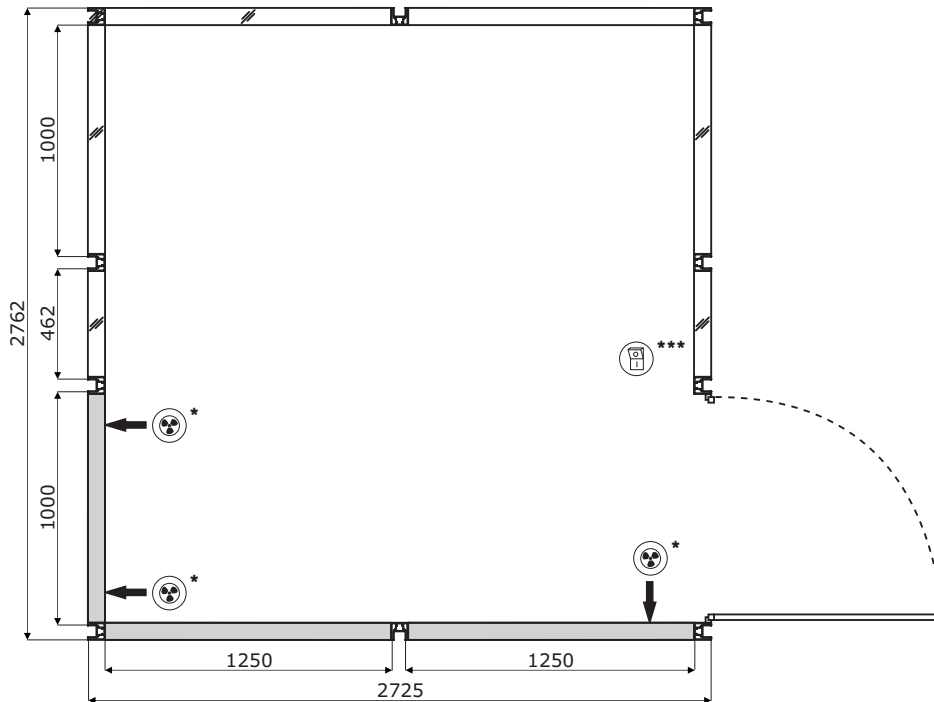


Hako

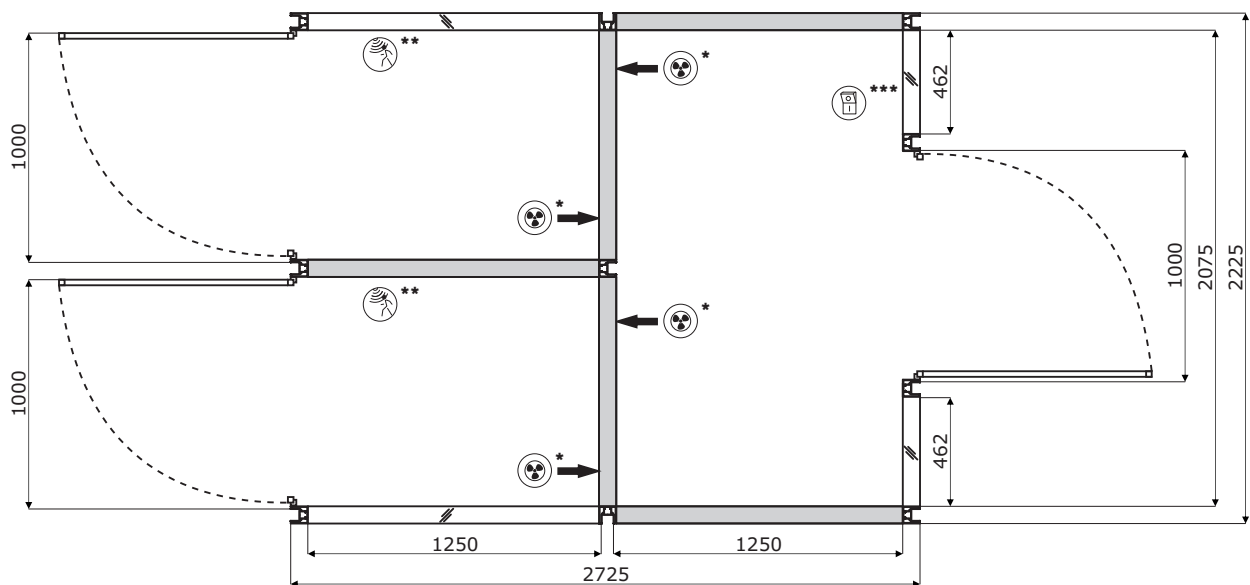
Legend:

- * fan (located near the floor) - Attention! It is suggested not to block fans to ensure the proper airflow rate
- ** motion sensor
- *** wireless light switch - which can be situated in any place

HK03



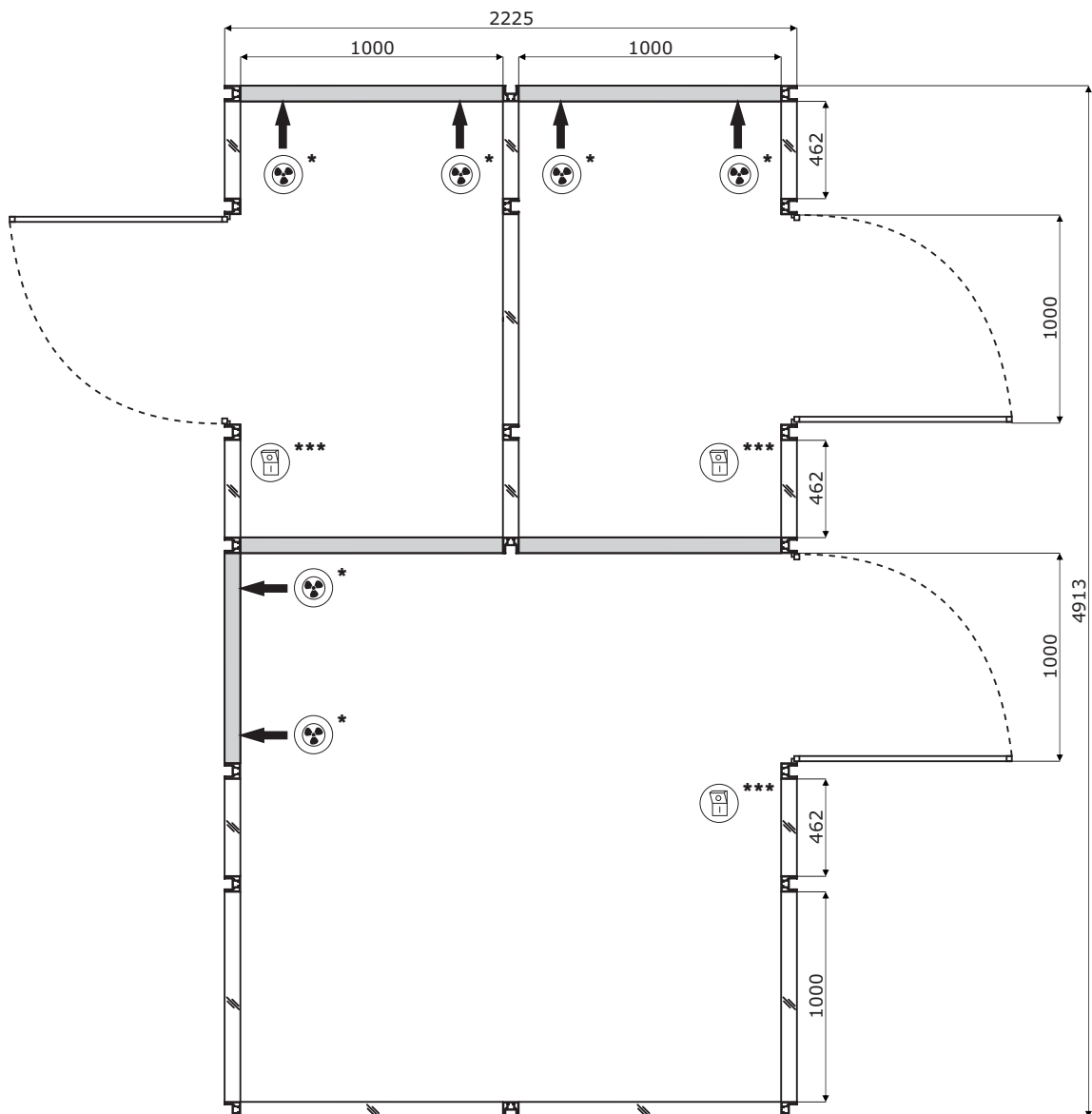
HK05



Legend:

- * fan (located near the floor) - Attention! It is suggested not to block fans to ensure the proper airflow rate
- ** motion sensor
- *** wireless light switch - which can be situated in any place

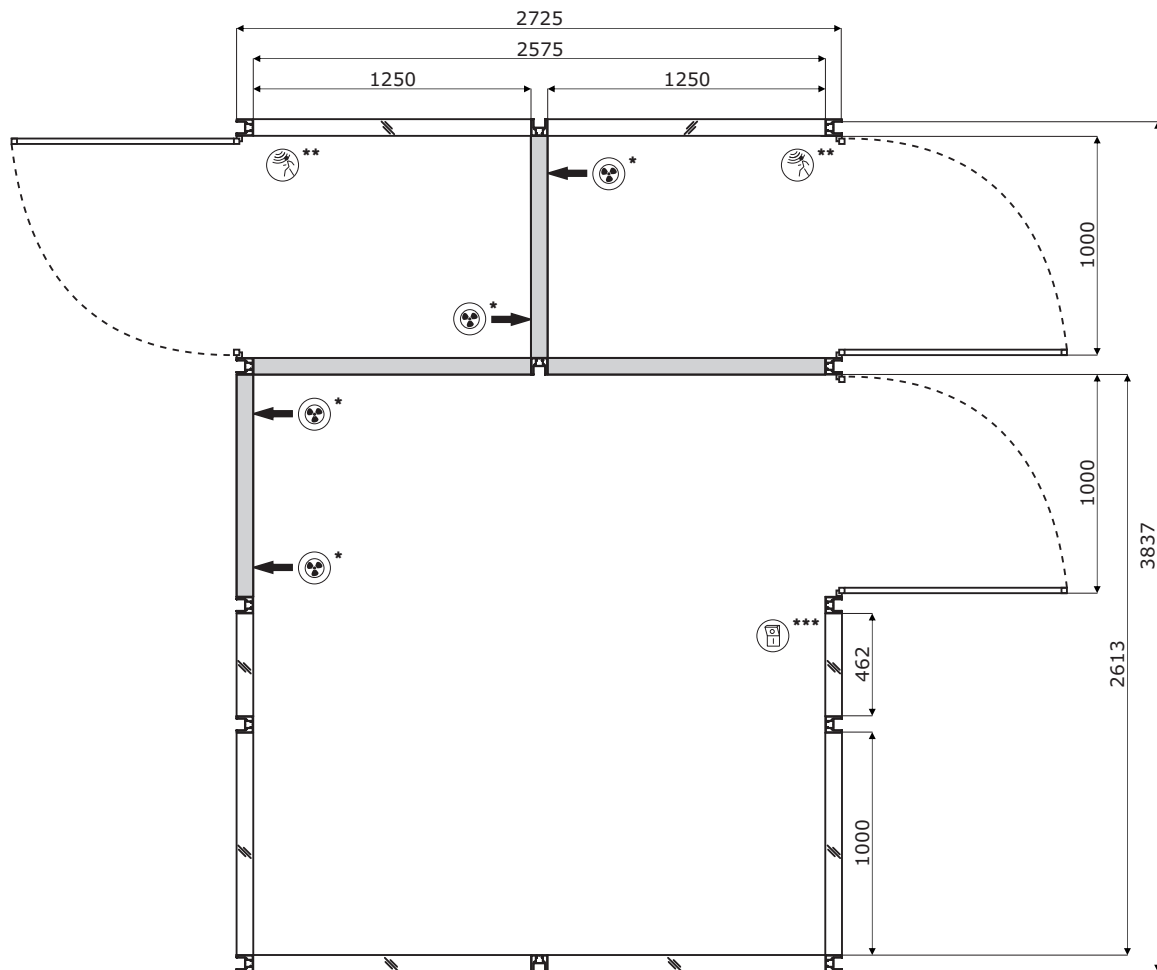
HK06



Legend:

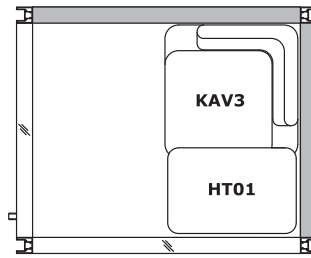
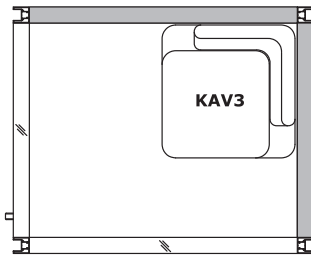
- * fan (located near the floor) - Attention! It is suggested not to block fans to ensure the proper airflow rate
- ** motion sensor
- *** wireless light switch - which can be situated in any place

HK07

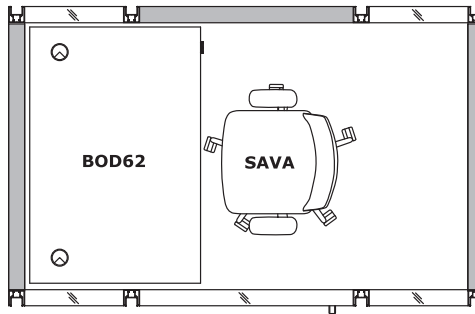
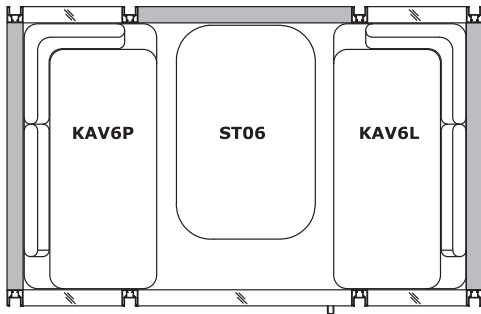


Configuration examples

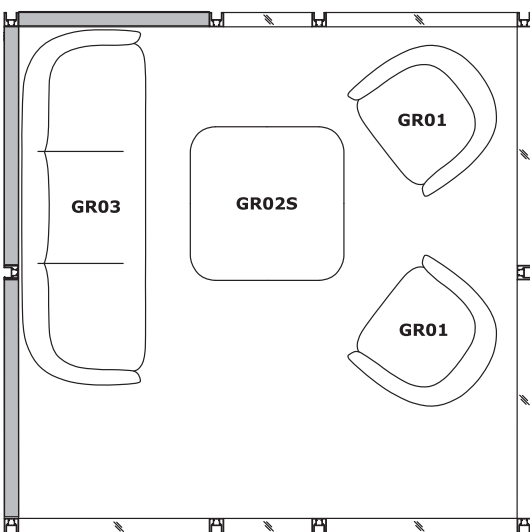
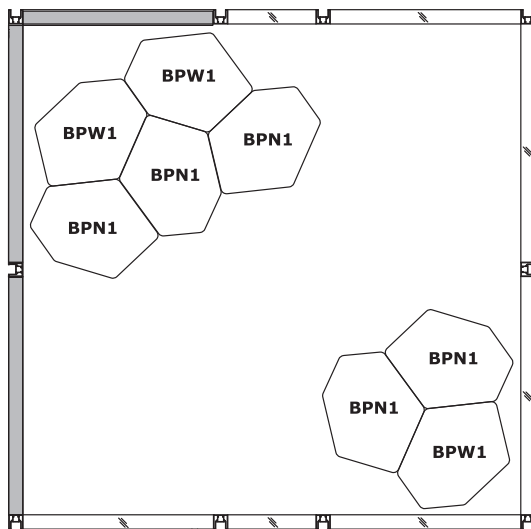
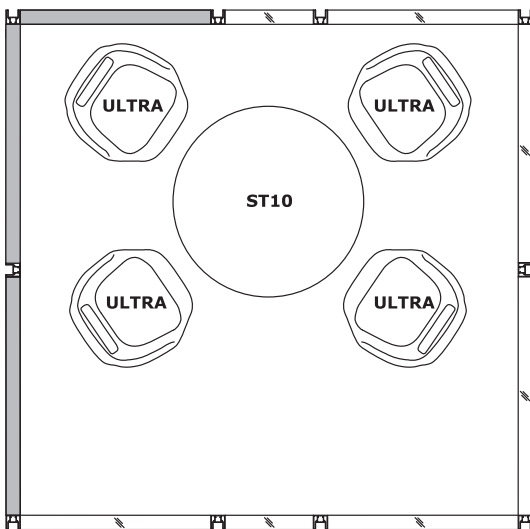
HK01



HK021



HK03



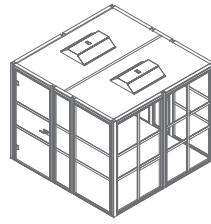
Hako - office booth *



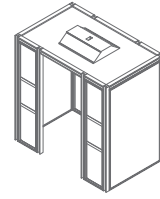
HK01
1400 / 1150 / 2341
398 kg



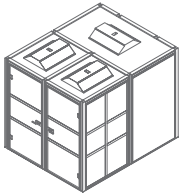
HK021
2225 / 1400 / 2341
531.18 kg



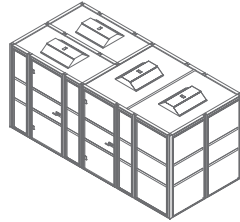
HK03
2762 / 2725 / 2341
935.3 kg



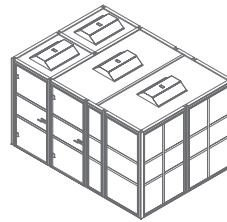
HK04
2225 / 1400 / 2341
442 kg



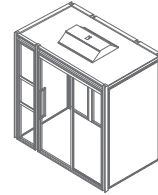
HK05
2725 / 2225 / 2341
1451.68 kg



HK06
2225 / 4913 / 2341
1571 kg

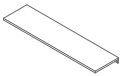


HK07
2725 / 3838 / 2341
1426.38 kg



HK08
2225 / 1400 / 2341
531.18 kg

Shelf *



HK1P
980 / 250 / 156
6 kg

* dimensions expressed in millimeters: width x depth x height

Hako	Date of preparation 16.07.2020	The data contained in this document is valid in the day of its preparation. Change of the product, as long as it does not affect the basic features of it, does not require consistent updates of the document.	page 9/12
			products

Office booth – walls outside, inside – fabric Medley – second group



Technical data:	
Material	polyester 100%
Fabric weight	510 g/lm (16.45 oz./lin.yd.)
Abrasion resistance rubs	BS EN ISO 12947-2, 75,000 cykli Martindale
Pilling resistance	scale 1-5, max. 5, EN ISO 12945-2 (4)
Colour fastness to light	scale 1-8, max. 8, EN ISO 105-B02 (5-7)
Colour fastness to rubbing	scale 1-5, max. 5, EN ISO 105x12 (wet/dry (4-5/4-5))
Acoustic test sound absorption	ISO 354
Flammability	BS EN 1021-1 (cigarette) BS 476 Part 7, Class 2 Class Uno UNI 9174 - UNI 8457 CA TB 117-2013 ASTM E 84 Class I

Office booth – walls outside, inside – fabric Synergy – third price group



Technical data:	
Material	95% Virgin Wool, 5% Poliamid
Fabric weight	400g/m2 ±5% (560 g/lin.m ±5%)
Abrasion resistance rubs	Independently certified ≥100,000 Martindale cycles
Colour fastness to light	5 (ISO 105 - B02)
Colour fastness to rubbing	ISO 105 - X12 - wet: 4, dry: 4
Flammability	EN 1021 - 1 (cigarette, EN 1021 - 2 (match), BS 7176 Low Hazard, UNI 9175 Classe 1 IM, ÖNORM B 3825 & A 3800-1

Fabric Silvertex – third price group

There is a possibility of ordering the product in full colour spectrum of Silvertex range, as per Spradling’s pattern book, within 15 working days.

Technical data:	
Material	Topcoat: 100% Vinyl Backing: 100% Polyesterr Hi-Loft™
Fabric weight	685 gr/m2
Abrasion resistance	>300,000 cycles Martindale
UV-resistance	>= 7 (1000 hours, blue wool scale)
Cold Crack resistance	-23°C
Flame retardancy	NF P 92-503 / M2 EN 1021, Part 1&2 DIN 4102 B2 ÖNORM B 3825, Gruppe I – Schwerbrennbares Verhalten ÖNORM A 3800, Teil I, Qualmbildungsklasse QI – schwachqualmend IMO Res. MSC.307 (88) (2010 FTP Code) Annex I Part 8 (MED) Marine Equipment Directive in its current valid version UNI 9175 (1987) / UNI 9175/FAI (1994) Classe I.IM (uno I EMME) UNE 23.727-90 IR /M2 EN 71-2: 2006+AI: 2007 Safety of Toys – Part 2: Flammability ECE R 118 (replaces Directive 95/28/EC) FMVSS 302 FAR 25/853
Antimicrobial	Antifungal Protection, Antibacterial Protection, Antimycotic Protection

Office booth – walls outside, inside – fabric Atlas – fourth price group



Technical data:	
Material	90% new wool, 10% nylon
Fabric weight	286g/m2, 400g/lm
Abrasion resistance rubs	100,000 cykli Martindale, EN ISO 12947
Colour fastness to light	ISO 105 B02: 6-7
Colour fastness to rubbing	ISO 105-X12:2001, (wet/dry) 4-5/4-5
Flammability	BS EN 1021-2 Match, BS EN 1021-1 Cigarette, BS 5 5852 Crib 5, BS 5852 ignition source 3, BS 5852 Part 1, NF D 60 013, UNI 9175 1IM, US Cal. Bull. 117-2013

Office booth – walls outside, inside – fabric Field2 – fourth price group



Technical data:	
Material	100% Trevira CS
Fabric weight	321g/m2, 450g/lm
Abrasion resistance rubs	100,000 cykli Martindale, EN ISO 12947
Colour fastness to light	ISO 105 B02: 5-7
Flammability	BS EN 1021-2 Match, BS EN 1021-1 Cigarette, BS 5 5852 Crib 5, DIN 4102 B1 FAR 25.853, UNI 9177 classe 1, US Cal. Bull. 117-2013

Frame - metal



M010 Light grey
semi-matt RAL7044



M014 Red
semi-matt RAL3016



M154 Anthracite
semi-matt RAL7043
