

Hana

technical specification



MDD has a leading position among manufacturers of office furniture with many awards that prove quality and continuously increase demand for its products.

The realities of today's market require constant quality improvement at all levels of modern organization. This applies in particular to customer service, marketing, quality of products and also to quality of processes within the company. Partnership relations among employees and with business partners form a base of economic growth and success of the company.

Constant investments in innovative machinery park, optimization of management systems and an expansion of production halls allow to minimize the lead times for the product of the highest quality.

More than twenty years of experience in office furniture industry come with reference from a long list of companies and institutions to show their appreciation for an efficient and comprehensive service.

MDD is highly aware of the environment.

Being located in the forest region with lake by its side, MDD takes the nature seriously and invests constantly in a modern and energy-efficient solutions to preserve the local life. Company puts emphasis on waste segregation and recycling. MDD has been awarded for the exceptional care and involvement in waste disposal. All materials used are environmentally friendly and enjoy a high 95 % rate of being recycled.



General informations:

Warranty:

MDD products - **5 years.**

Electrical components and fabric - **2 years.**

Certificate - MFC:



Boards density:

12 mm - 690 - 750 kg/m³

18 mm - 650 - 690 kg/m³

28 mm - 610 - 630 kg/m³

36 mm - 610 - 630 kg/m³

Certificate - fabric:



Assembly:

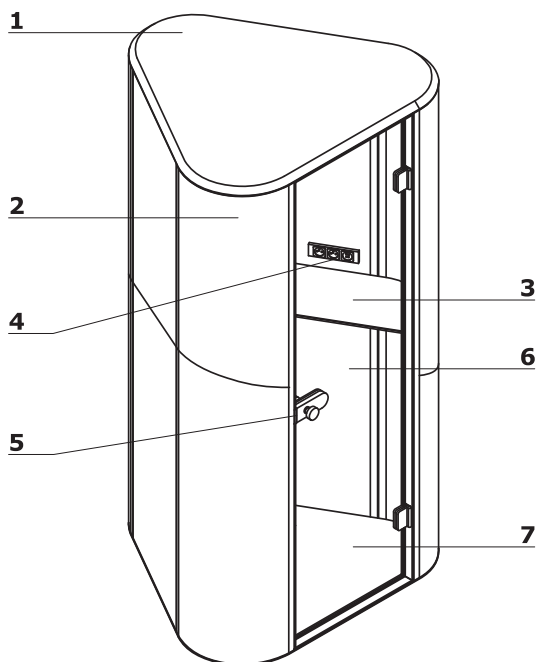
product delivered in separate elements

Packing:

wooden crates

Hana	Date of preparation 20.12.2019	The data contained in this document is valid in the day of its preparation. Change of the product, as long as it does not affect the basic features of it, does not require consistent updates of the document.	page 2/7 general informations
------	-----------------------------------	---	---

Office booth - Hana



1. Top panel:

* outside - MDF 28 mm, upholstered, colour: LDS27 - black

* inside - chipboard 12 mm upholstered, colour: LDS27 - black, two-point lighting; exhaust fan activated by a motion detector; ventilation grate in the floor

2. **Body** - 58 mm, upholstered walls with acoustic filling

3. **Shelf** - MDF board 28 mm, lacquered, measurements: 1070x388x28x28 mm, colour: black

4. **Mediabox** - 2x230V + 1xUSB + 1xUSB type C

5. **Rotary knob** - powder coated steel, colour: black

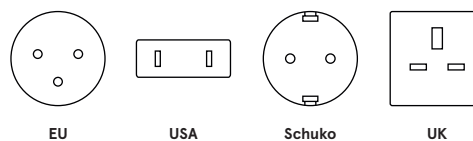
6. **Door** - toughened glass 8 mm, clear

7. Bottom rim:

* outside - MDF 28 mm, upholstered, colour: LDS27 - black

* inside - chipboard 18 mm, carpet, colour: graphite

Electric systems available:



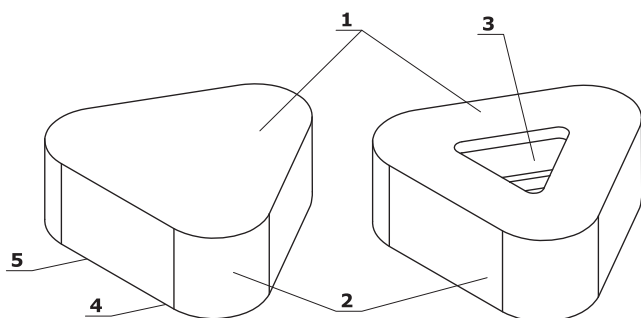
Additional information:

- certificated Sonic technology used in acoustic panels

- automatic light switch simultaneously activating the ventilation system

- 2 fans: 1 intake and 1 exhaust; volume 14dB, efficiency 90m³/h

Stool



1. **Seat** - upholstered, filled with 60 mm thick foam

2. **Body** - chipboard frame

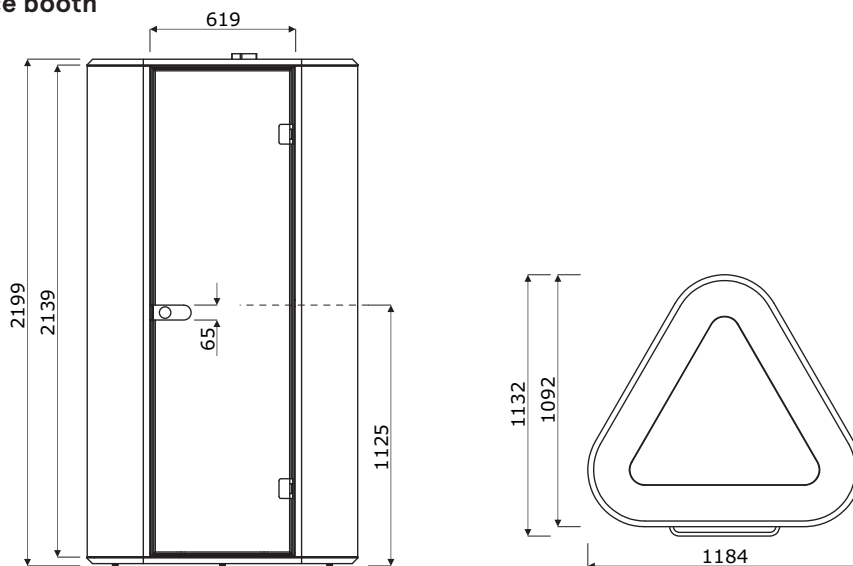
3. **Plant pot** - plastic, depth 470 mm

4. **Feet** - plastic, 3 units

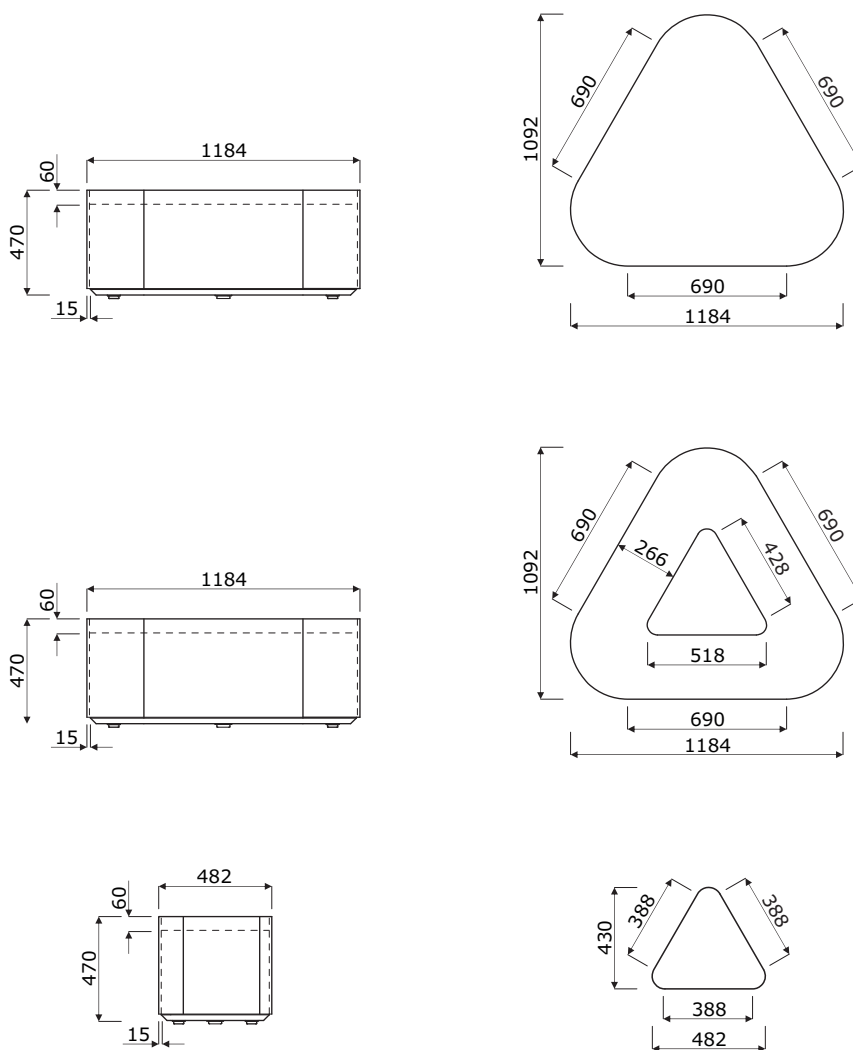
5. **Base** - MDF 28 mm, lacquered, colour: black

Hana	Date of preparation 20.12.2019	The data contained in this document is valid in the day of its preparation. Change of the product, as long as it does not affect the basic features of it, does not require consistent updates of the document.	page 3/7
			technical specification

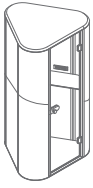
Dimensions - office booth



Dimensions - stool

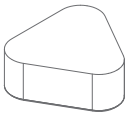


Office booth *

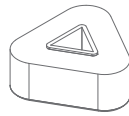


HN01
1184 / 1092 / 2217
340 kg

Stool *



HN02
1184 / 1092 / 470
50 kg



HN03
1184 / 1092 / 470
47 kg

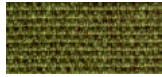


HN04
502 / 450 / 470
20 kg

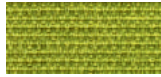
* dimensions expressed in millimeters: width x depth x height

Hana	Date of preparation 20.12.2019	The data contained in this document is valid in the day of its preparation. Change of the product, as long as it does not affect the basic features of it, does not require consistent updates of the document.	page 5/7
			products

Fabric Medley - second group



M-68005 Dark olive



M-68002 Light olive



M-68115 Green



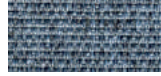
M-61002 Beige



M-67053 Navy blue



M-67006 Light blue



M-66008 Grey



M-64019 Red



M-63064 Pink



M-60999 Black

Technical data:

Material	polyester 100%
Fabric weight	510 g/lm (16.45 oz/lin.yd.)
Abrasion resistance rubs	BS EN ISO 12947-2, 75,000 cykli Martindale
Pilling resistance	scale 1-5, max. 5, EN ISO 12945-2 (4)
Colour fastness to light	scale 1-8, max. 8, EN ISO 105-B02 (5-7)
Colour fastness to rubbing	scale 1-5, max. 5, EN ISO 105x12 (wet/dry (4-5/4-5))
Acoustic test sound absorption	ISO 354
Flammability	BS EN 1021-1 (cigarette) BS 476 Part 7, Class 2 Class Uno UNI 9174 - UNI 8457 CA TB 117-2013 ASTM E 84 Class I

Fabric River - second group



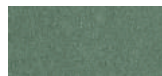
RV21 Beige



RV24 Light brown



RV28 Dark brown



RV34 Green grey



RV38 Dark green



RV41 Mustard



RV51 Orange



RV79 Navy blue



RV87 Aquamarine



RV91 Grey



RV100 Black

Technical data:

Material	polyester 100%
Fabric weight	300g/m2 (+/- 5%)
Abrasion resistance rubs	100,000 Martindale cycles (EN ISO 12947-1,2)
Pilling resistance	EN ISO 12945-2 (5)
Colour fastness to light	4 (EN ISO 105-B02)
Colour fastness to rubbing	dry: 4-5, wet: 3 (EN ISO 105-x12)
Flammability	BS 5852: Part 1, Ignition Source 0 (cigarette) BS 5852: Part 1, Ignition Source 1 (match) En1021 - 2

Fabric Synergy - third price group



LDS08 Grey melange



LDS20 Light grey



LDS27 Black



LDS29 Dark grey



LDS50 Dark green



LDS53 Green



LDS57 Turquoise



LDS60 Bottle green



LDS61 Plum



LDS69 Navy blue



LDS84 Orange



LDS86 Red



LDS88 Aubergine



LDS85 Coral



LDS19 Beige



LDS79 Brown



LDS44 Yellow

Technical data:

Material	95% Virgin Wool, 5% Poliamid
Fabric weight	400g/m2 ±5% (560 g/lin.m ±5%)
Abrasion resistance rubs	Independently certified ≥100,000 Martindale cycles
Colour fastness to light	5 (ISO 105 - B02)
Colour fastness to rubbing	ISO 105 - X12 - wet: 4, dry: 4
Flammability	EN 1021 - 1 (cigarette, EN 1021 - 2 (match), BS 7176 Low Hazard, UNI 9175 Classe 1 IM, ÖNORM B 3825 & A 3800-1

Fabric Atlas – fourth price group



Technical data:

Material	90% new wool, 10% nylon
Fabric weight	286g/m ² , 400g/lm
Abrasion resistance rubs	100,000 cykli Martindale, EN ISO 12947
Colour fastness to light	ISO 105 B02: 6-7
Colour fastness to rubbing	ISO 105-X12:2001, (wet/dry) 4-5/4-5
Flammability	BS EN 1021-2 Match, BS EN 1021-1 Cigarette, BS 5 5852 Crib 5, BS 5852 ignition source 3, BS 5852 Part 1, NF D 60 013, UNI 9175 11M, US Cal. Bull. 117-2013

Fabric Field2 – fourth price group



Technical data:

Material	100% Trevira CS
Fabric weight	321g/m ² , 450g/lm
Abrasion resistance rubs	100,000 cykli Martindale, EN ISO 12947
Colour fastness to light	ISO 105 B02: 5-7
Flammability	BS EN 1021-2 Match, BS EN 1021-1 Cigarette, BS 5 5852 Crib 5, DIN 4102 B1 FAR 25.853, UNI 9177 classe 1, US Cal. Bull. 117-2013